

1/350 SCALE

ITEM NO.: 04553

USS Fort Worth LCS-3

美国“沃斯堡”号濒海战斗舰



READ BEFORE ASSEMBLY:

- Study and understand these instructions thoroughly before beginning assembly
- When needed, remove photo-etch parts carefully using a modeling knife or photo etch sprue cutter, being careful not to damage or lose small parts.
- Take extra care in handling photo etch parts in order to avoid injury
- Apply instant cement sparingly to photo etch parts where instructed
- Tools recommended(not included in kit):Plastic and instant cements,sprue cutters,long nose pliers,modeling knife, small files, tweezers, pin vise & scissors. Soft cloth and sandpaper will also assist in construction
- Glue and paint are not included in the kit. Use plastic cement and hobby paints only. Color guide for purchasing paint is included in the kit.

装配之前仔细阅读

- 小心用模型锉刀锉平所有零件表面的注射浇口。
- 小心用刀片切下蚀刻片零件，不要遗失小零件。
- 用强力快干胶水粘合蚀刻片零件和金属轴。过量的快干胶水使用可能导致可动零件会粘住，小心涂胶。
- 取蚀刻片时应特别注意安全，防止利边划伤手指。
- 某些零件表面需贴水上贴纸，请选择在装配的同时进行。
- 推荐模型工具(自备)：胶水，水口剪刀，长咀钳，刀片，锉刀，镊子，钳，钻，剪刀，瞬间快干胶。
- 软布同砂纸同时也应该是必备工具。
- 请使用塑料胶水和油漆，模型内不含。



贴纸
Decal



锉平
File / Sand



选择
Option



不涂胶水
No cement



弯曲
Bend



使用强力胶
Cyanoacrylate glue



配重
Weight



钻孔
Make hole



切除
Cut / Remove

水贴纸的使用:

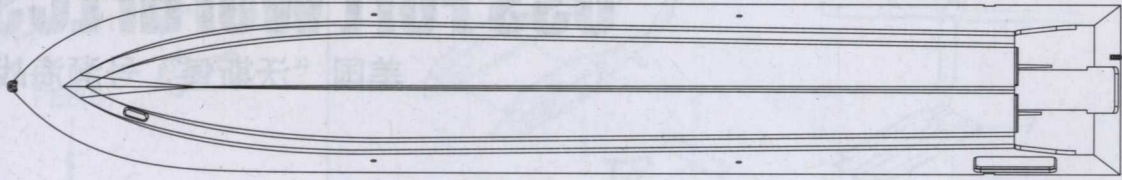
1. 从水贴纸上剪下印花;
2. 将印花放入温水中浸10秒，然后放在干净布上。
3. 拿着印花纸板将印花移到模型上;
4. 手指蘸水将印花移到适当的位置;
5. 用软布轻压印花直至水干，气泡消失。

DECAL APPLICATION

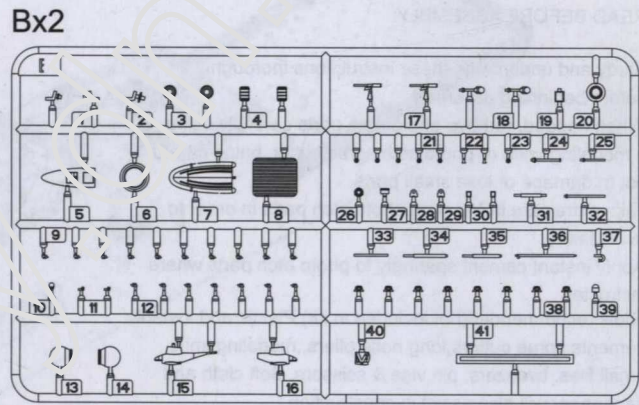
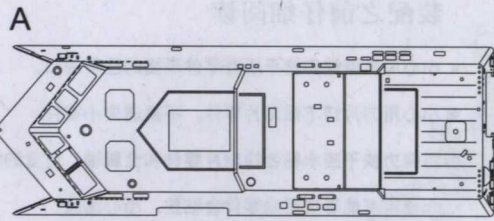
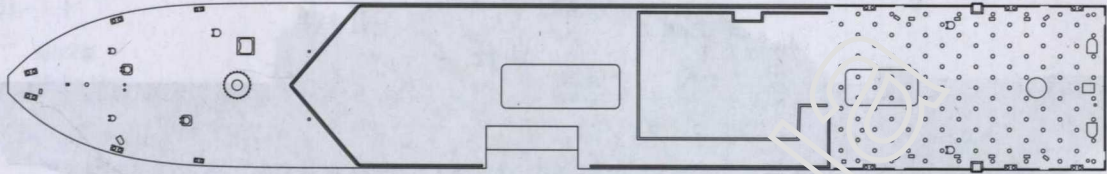
1. Cut off decal from sheet.
2. Dip the decal in tepid water 40°C for about 10 sec. and place on a clean cloth.
3. Hold the backing sheet edge and slide decal onto the model.
4. Move decal into position by wetting decal with finger.
5. Press decal gently down with a soft cloth until excess water and air bubbles are gone.
6. Allow decal to dry completely before handling model.

部品图 Parts

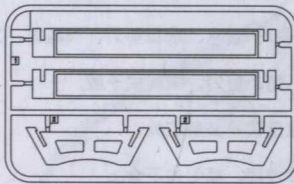
《下船底》
Lower hull



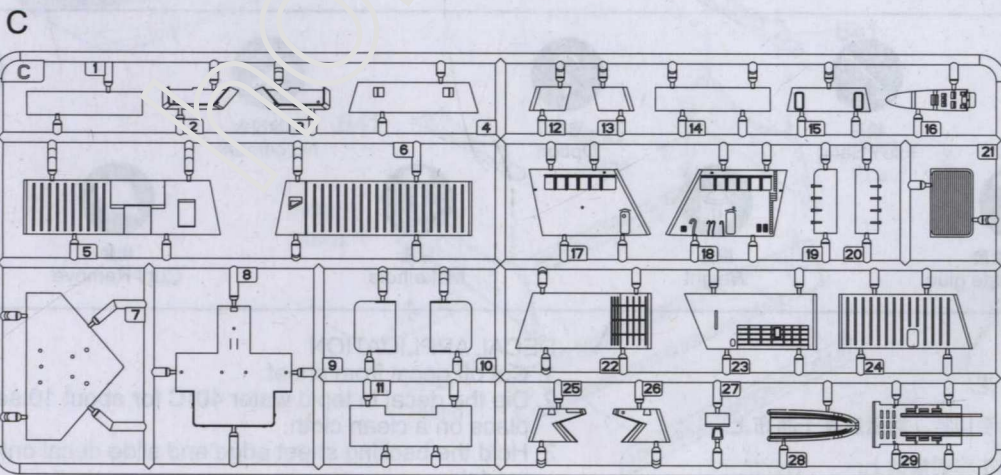
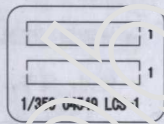
《甲板》
deck



《座架》 Stand



PVC 《透明》



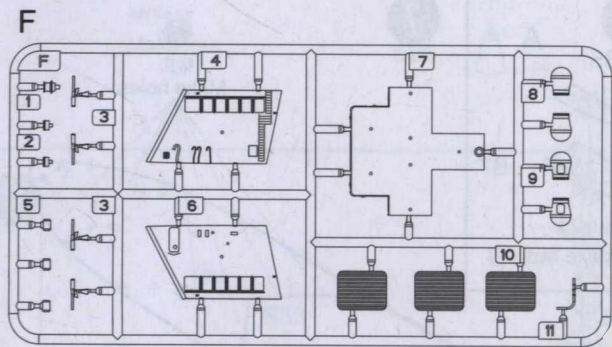
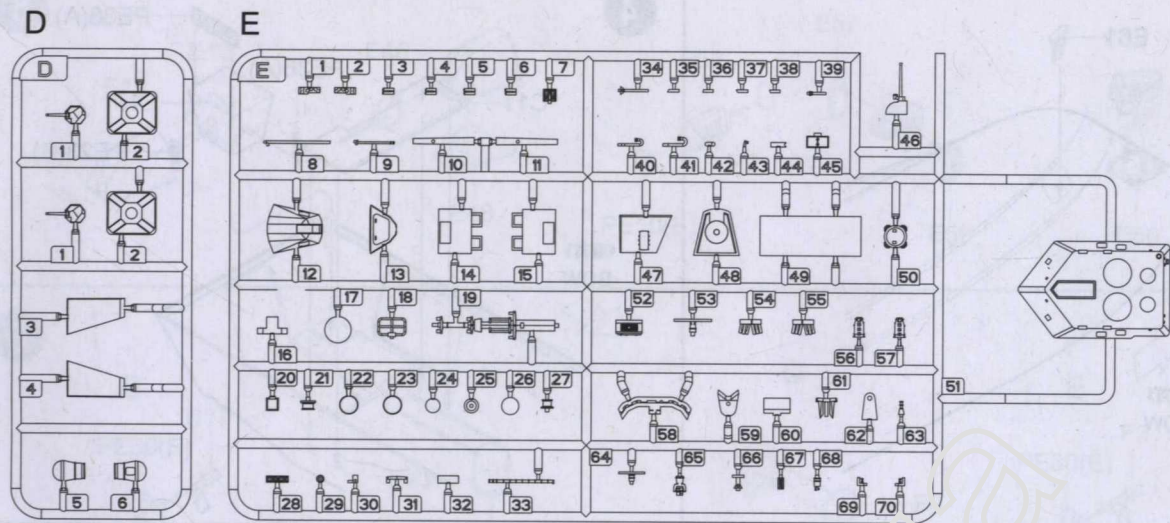
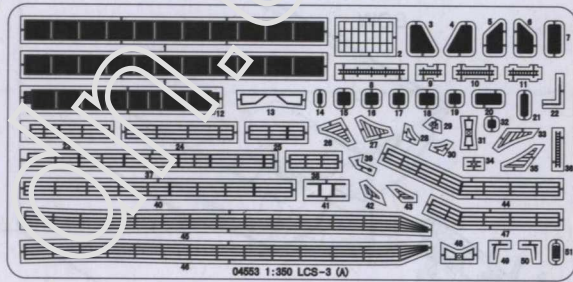
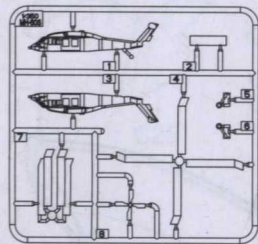


Photo Etched A



MH-60S X2



《水贴》
Decal

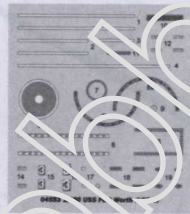
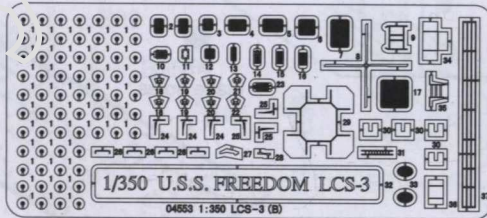
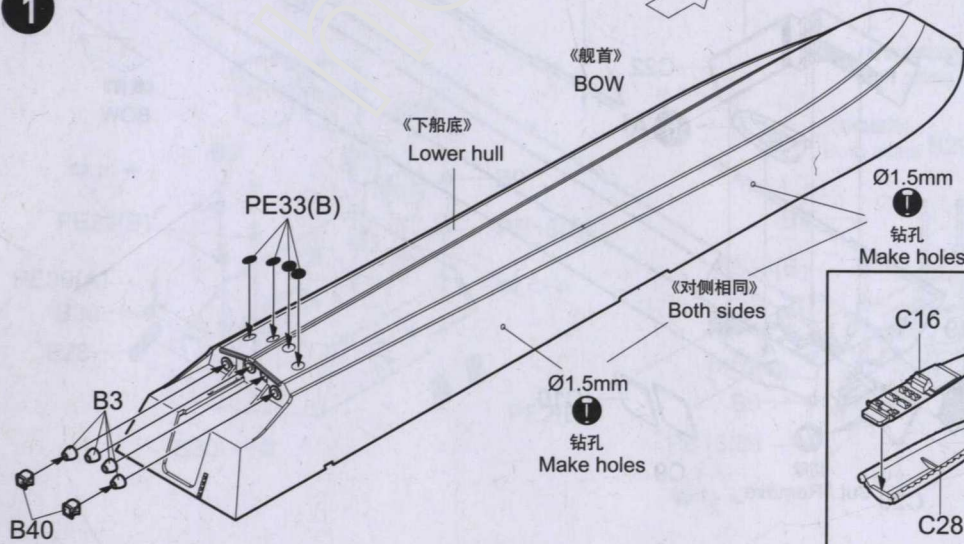


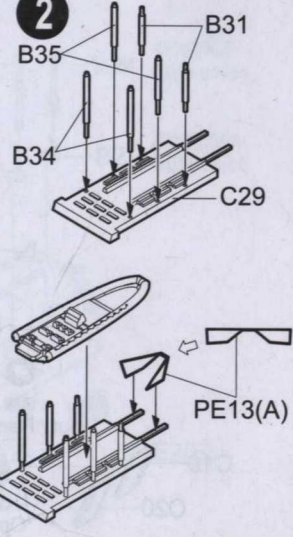
Photo Etched BX2



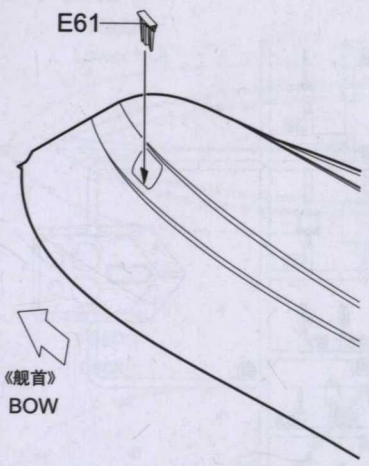
1



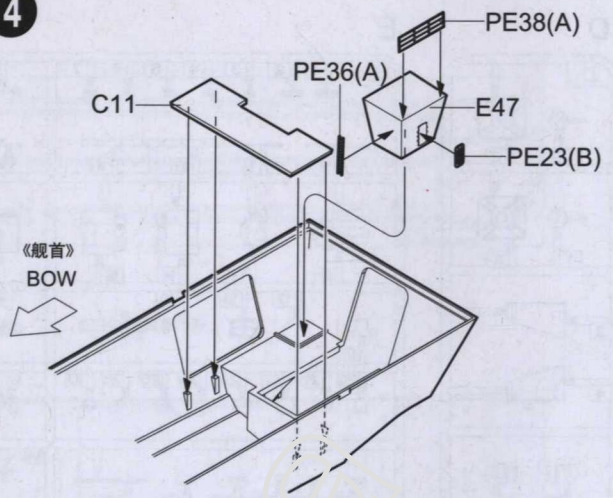
2



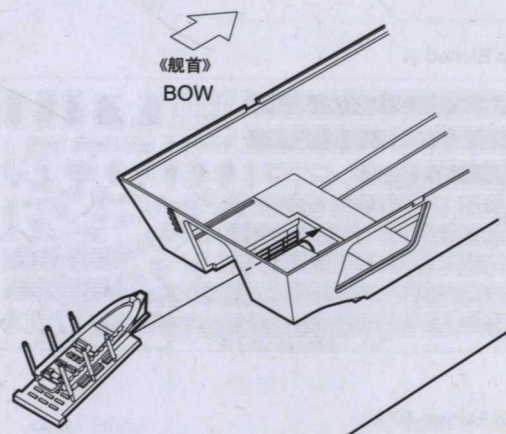
3



4



5



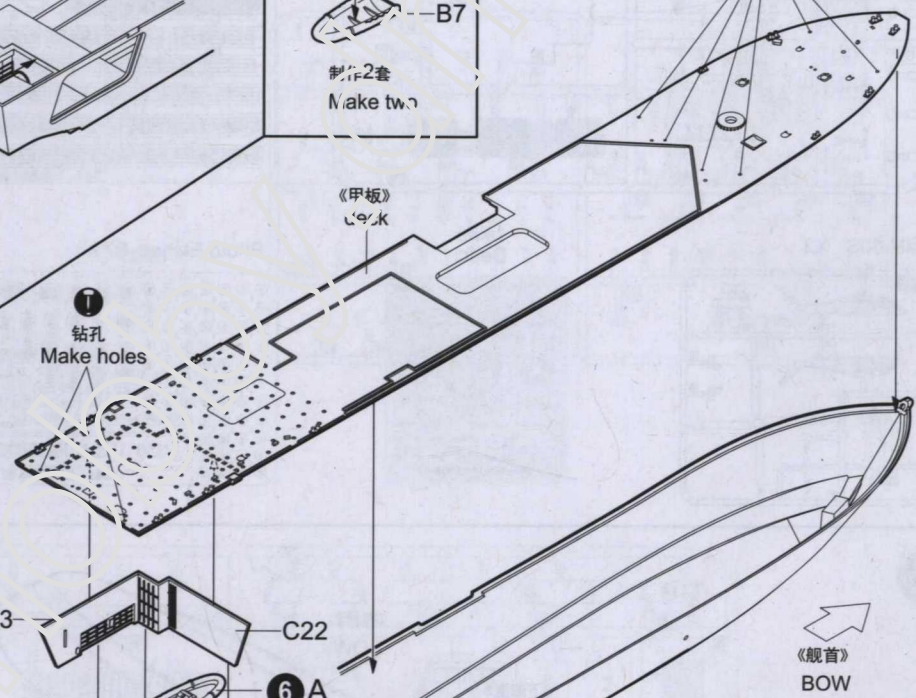
6



7



《甲板》 Deck



C23

C22

6 A

C19

切除 Cut / Remove

切除 Cut / Remove

C10

C9

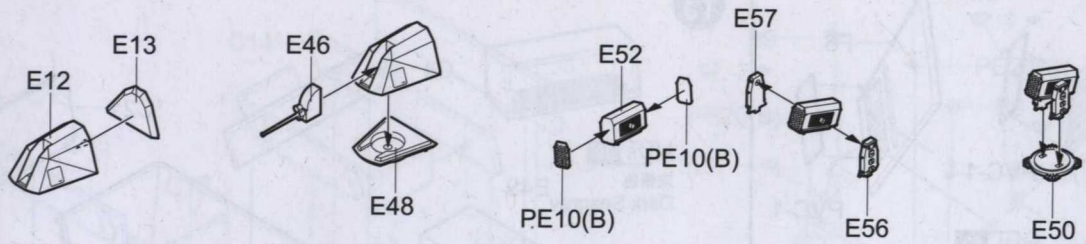
C19

C20

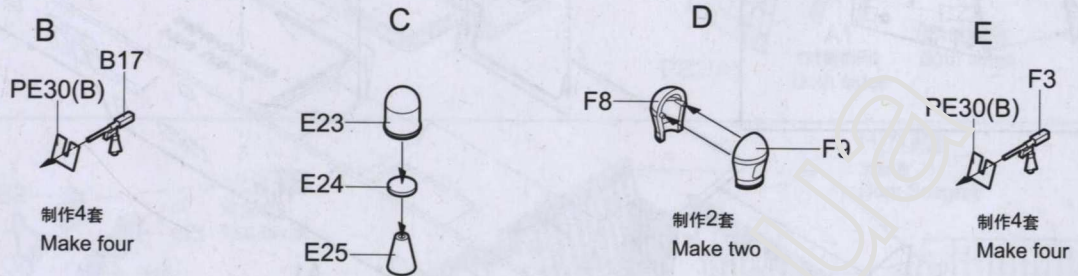
选择 Option

C20

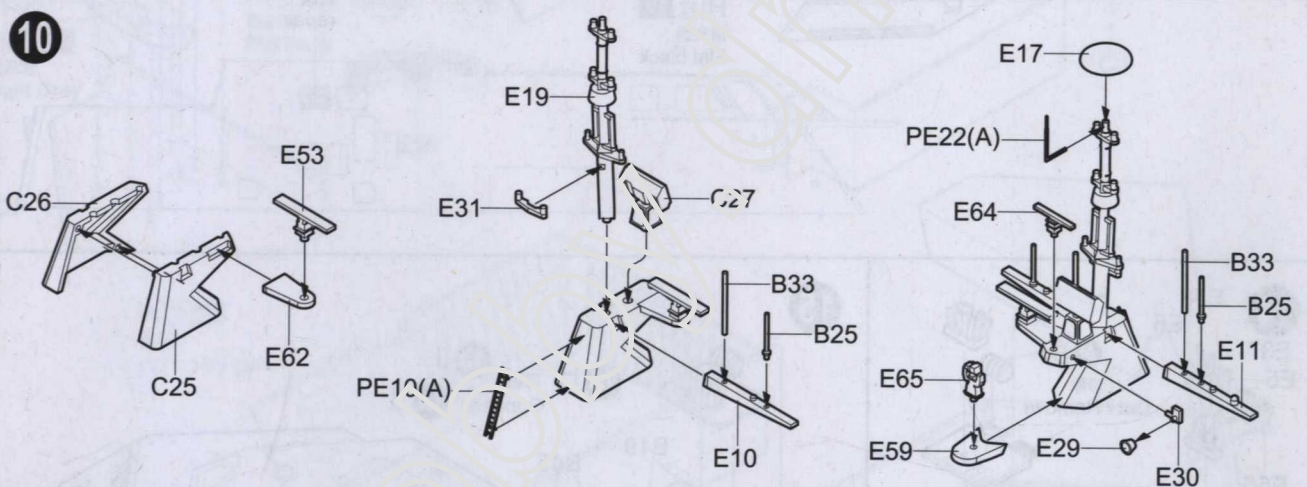
8



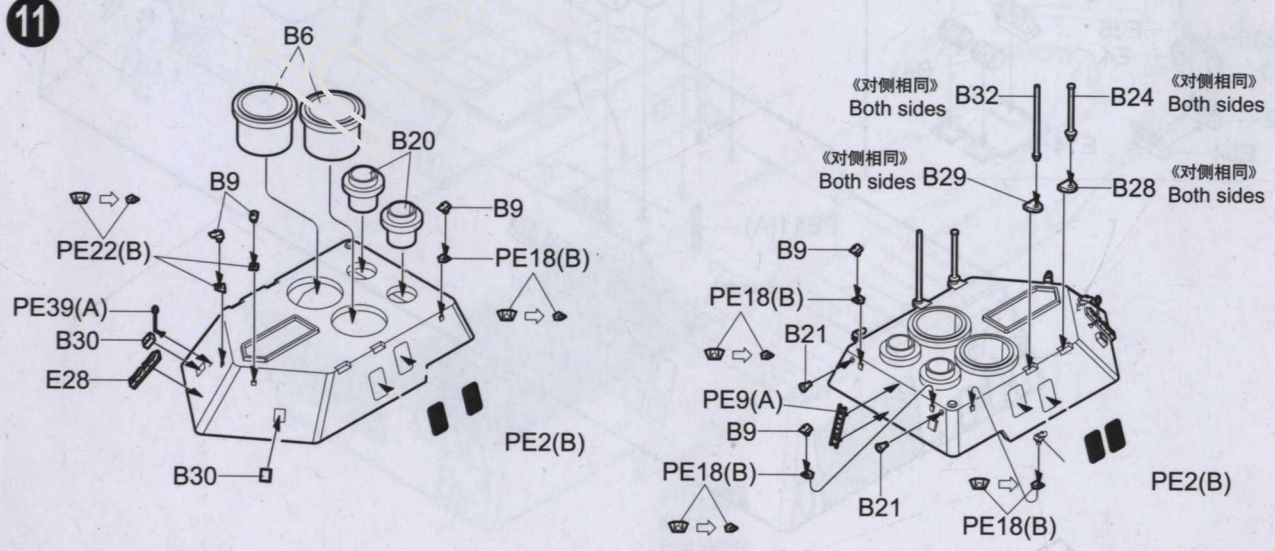
9



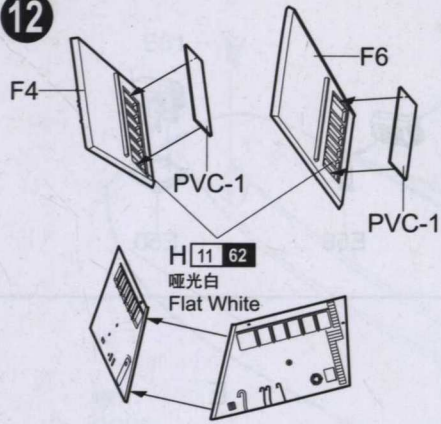
10



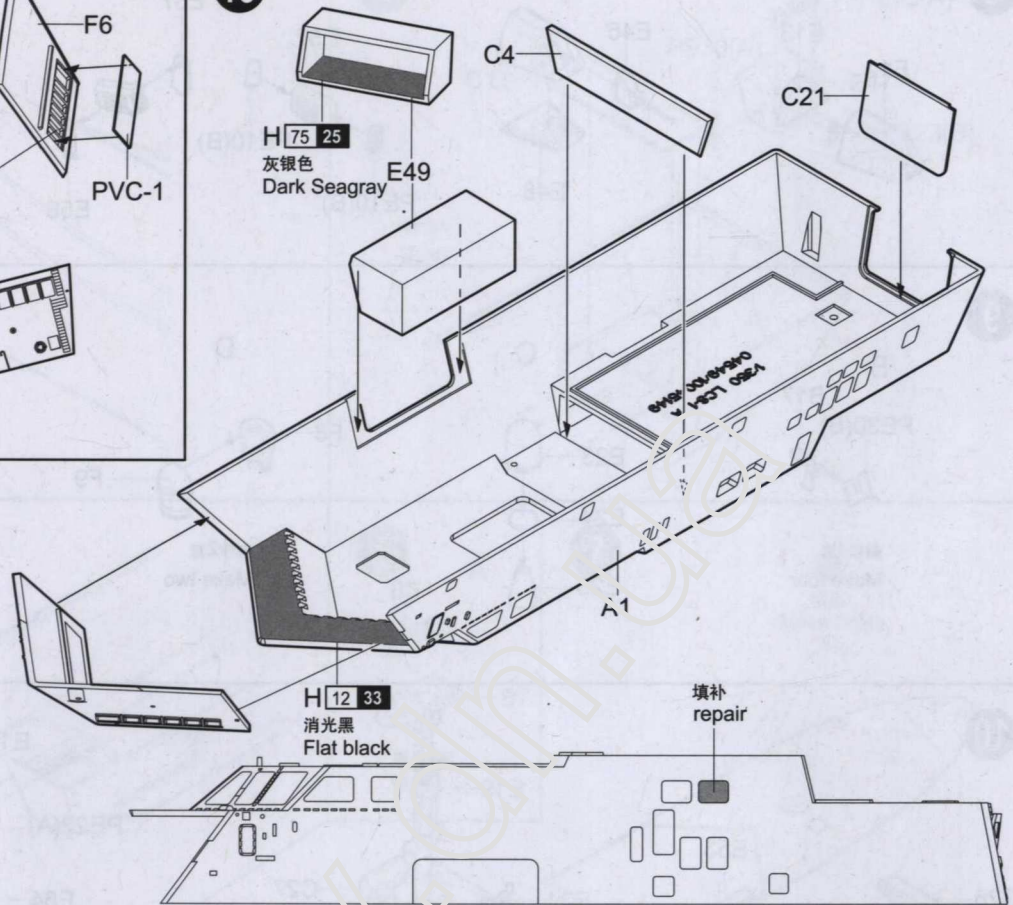
11



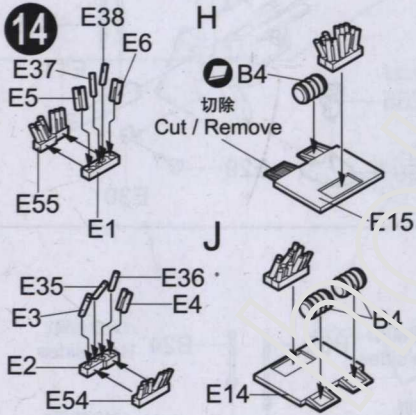
12



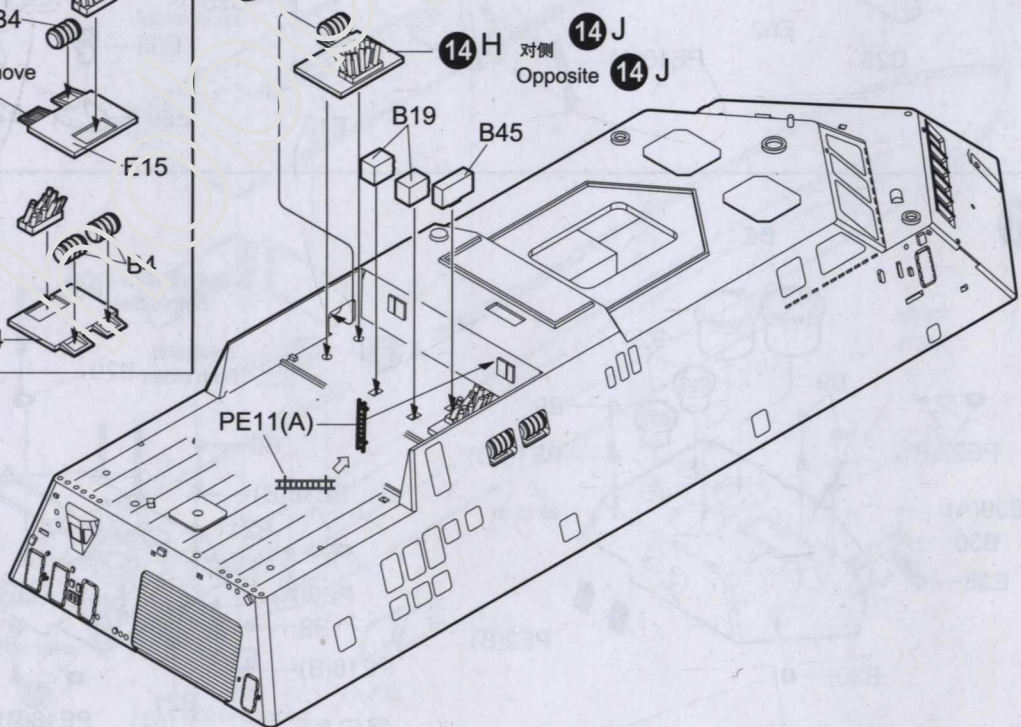
13



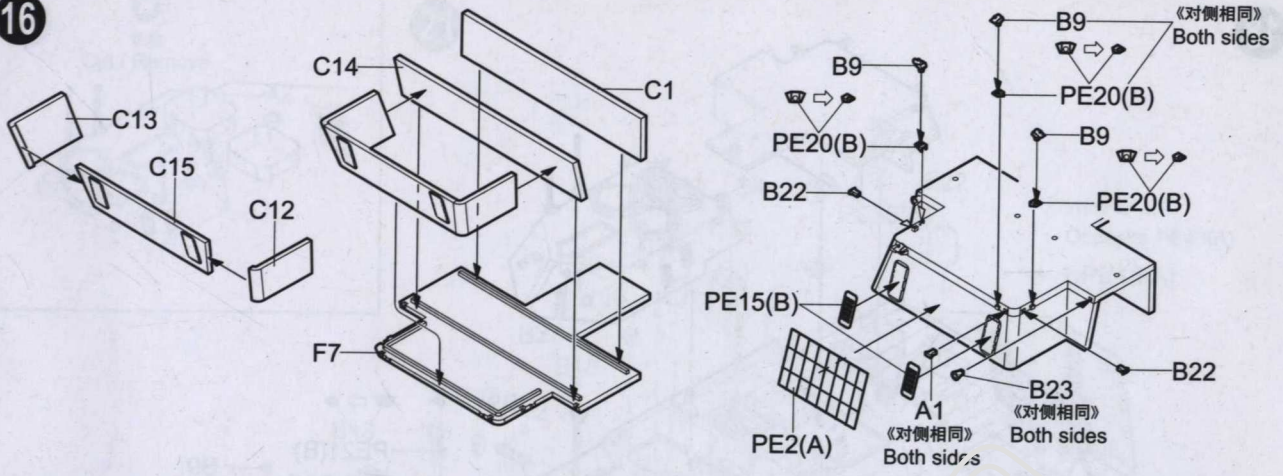
14



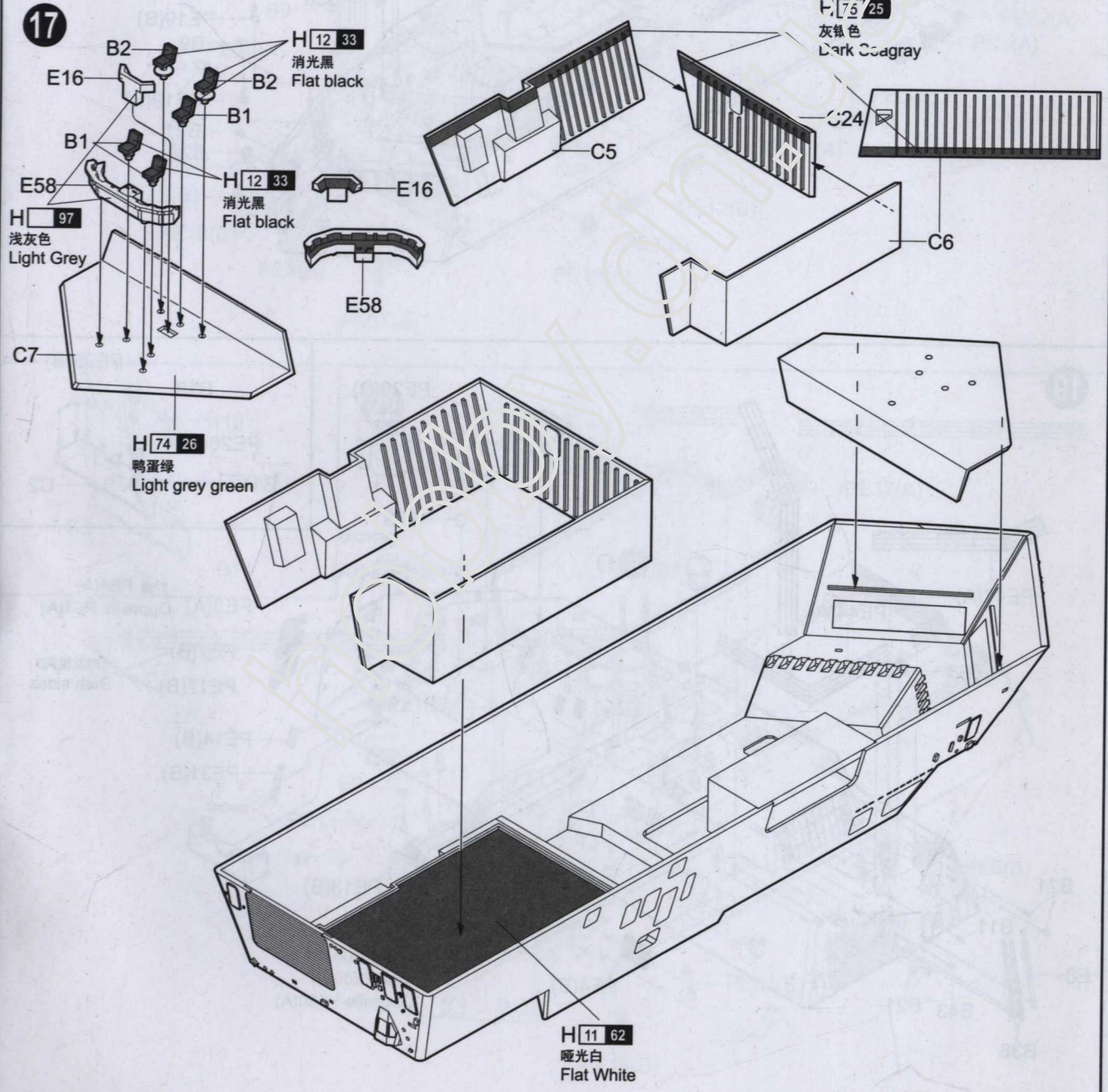
15



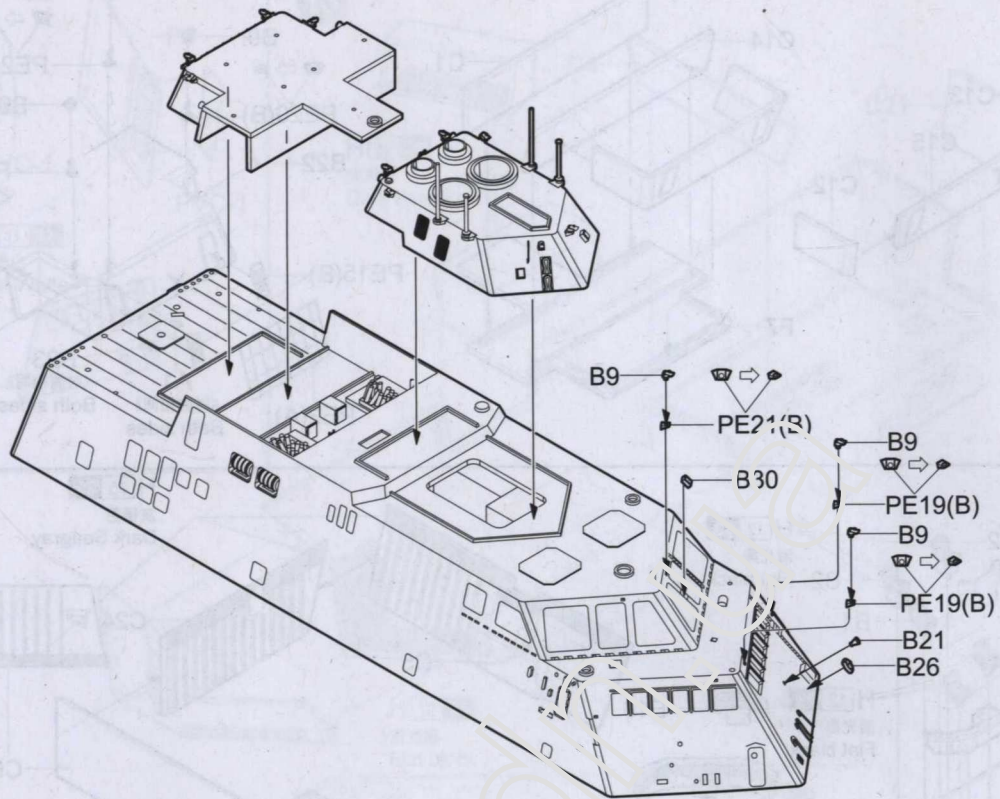
16



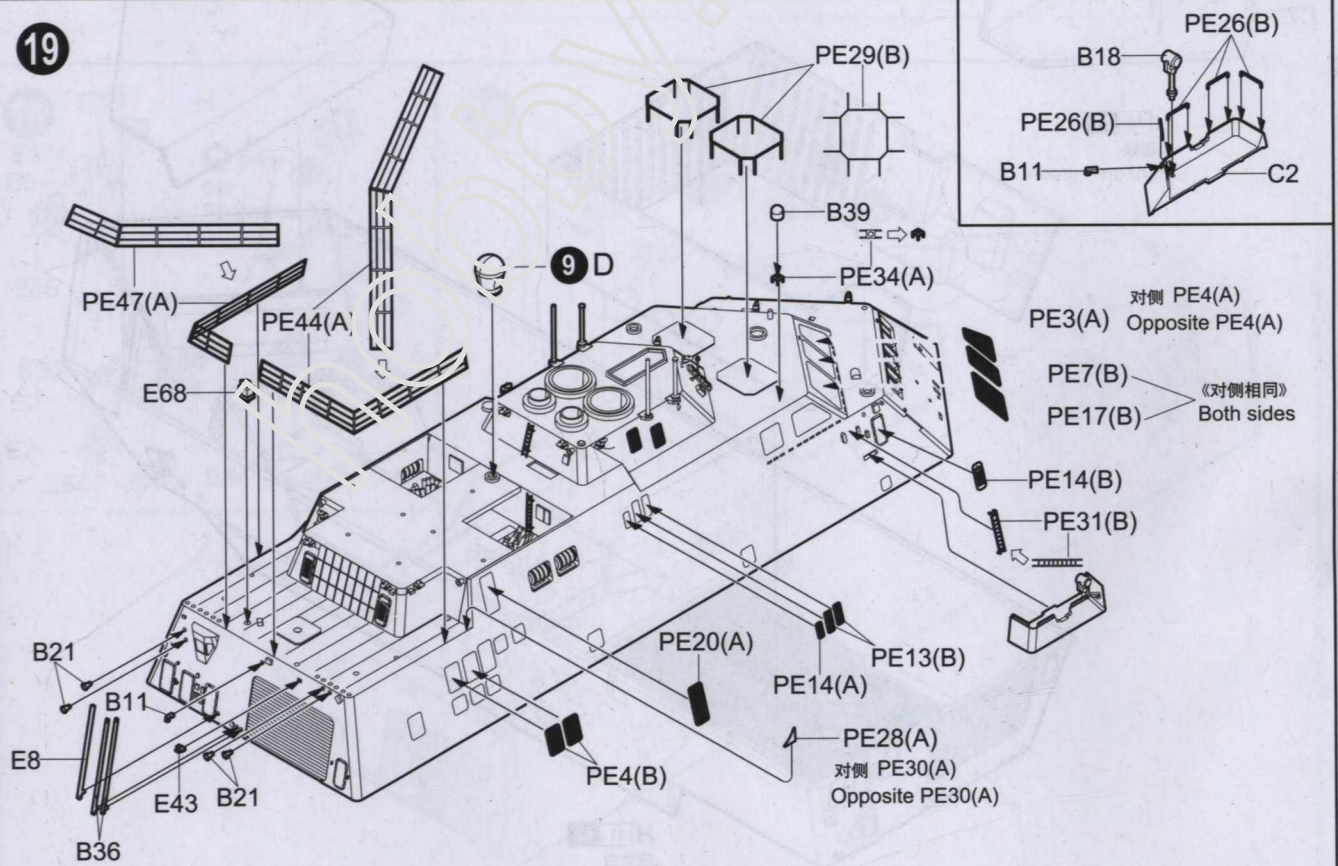
17



18

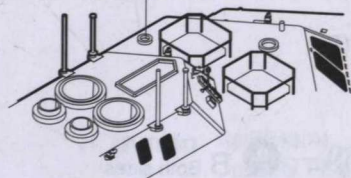


19

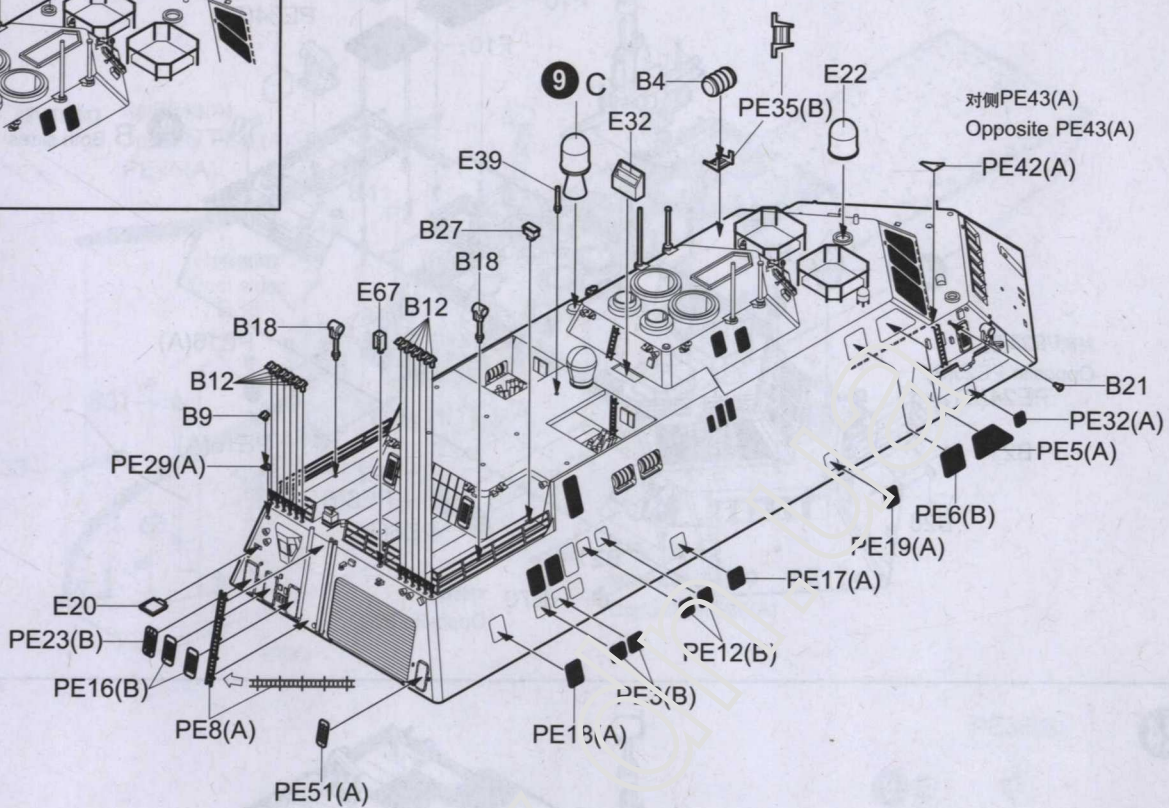


20

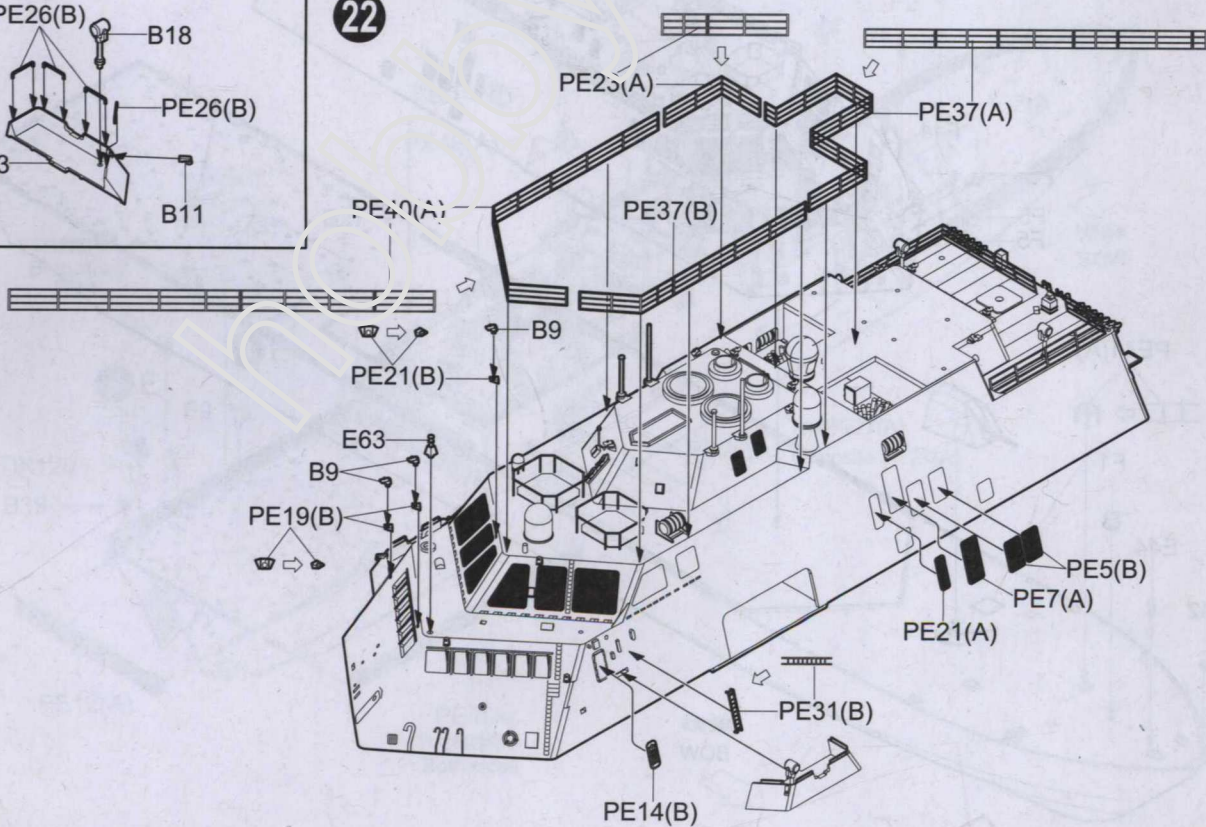
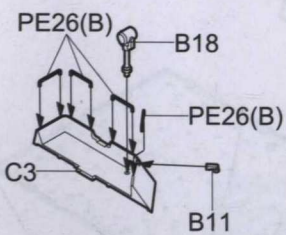
切除
Cut / Remove



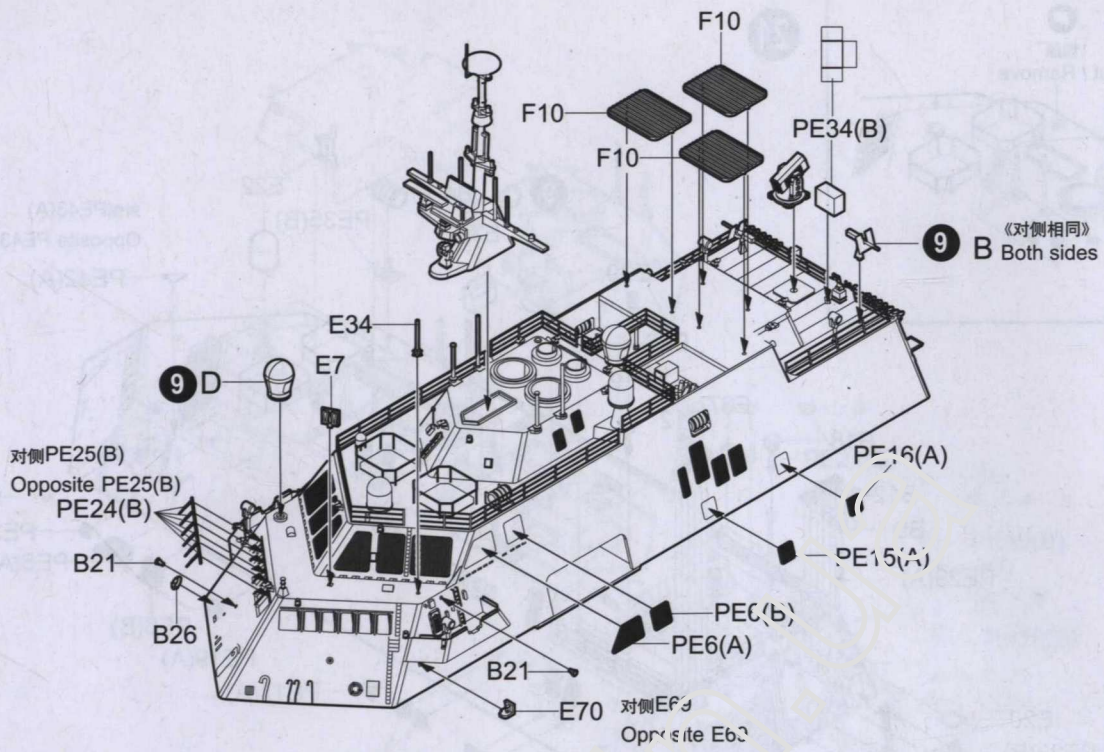
21



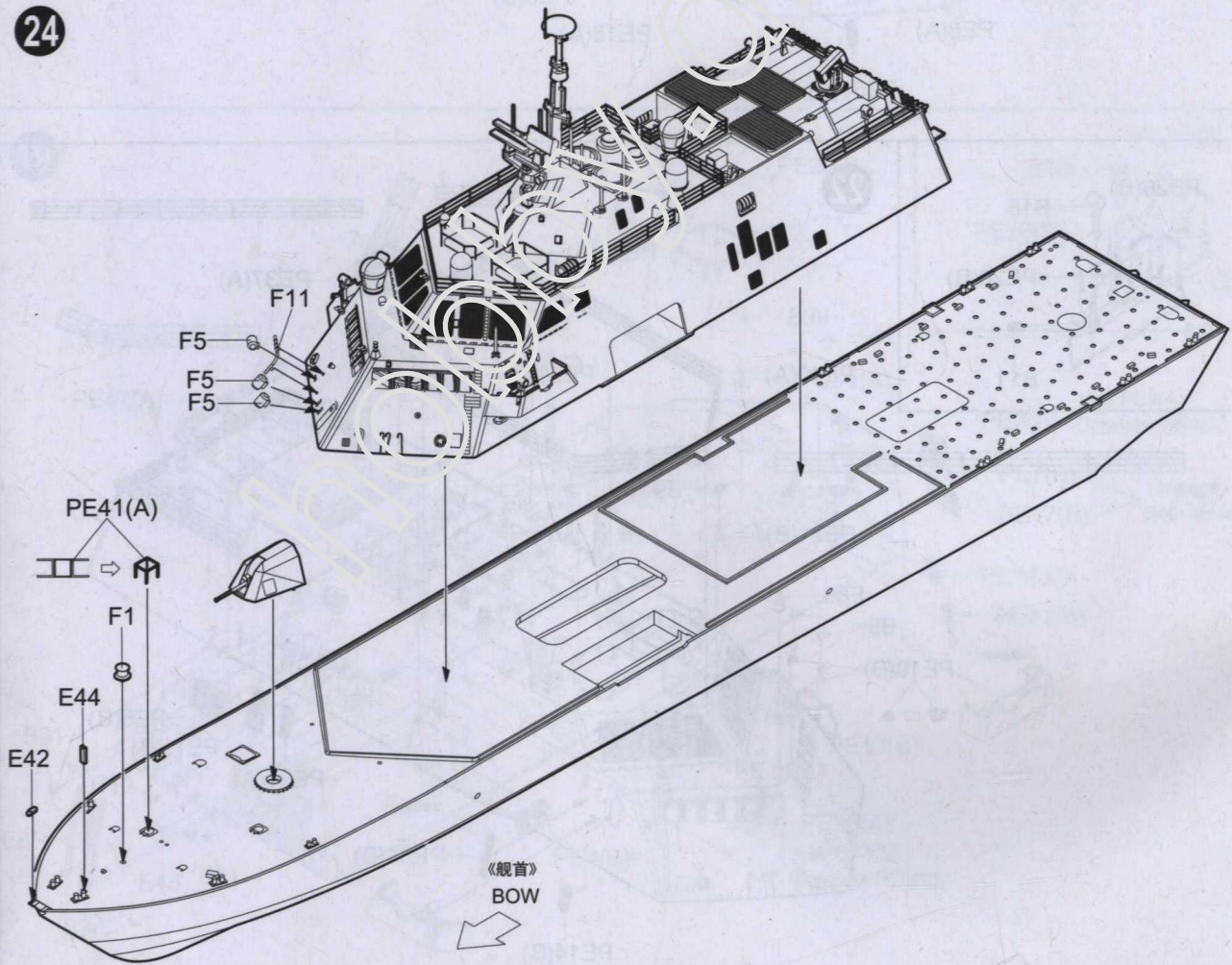
22

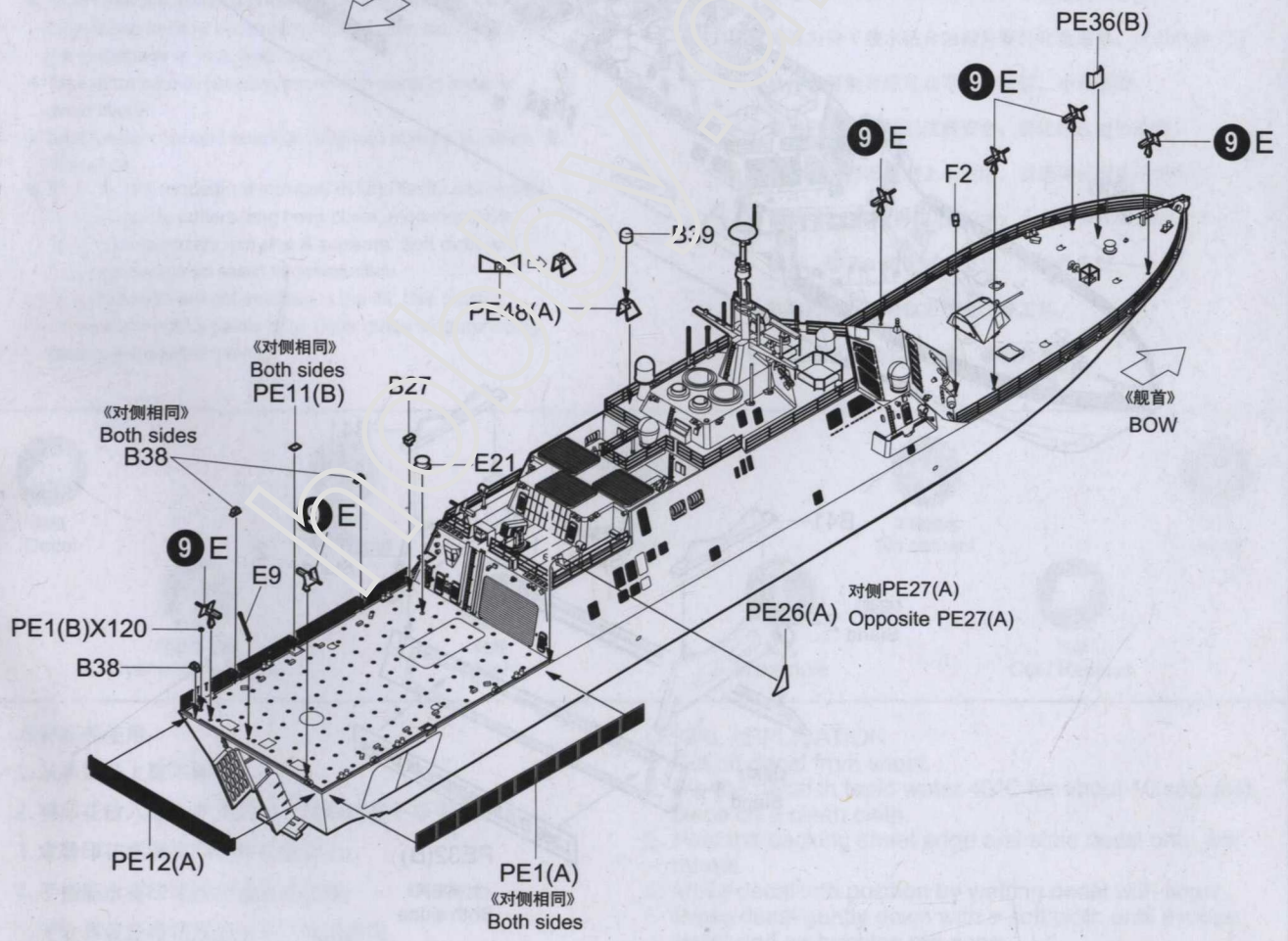
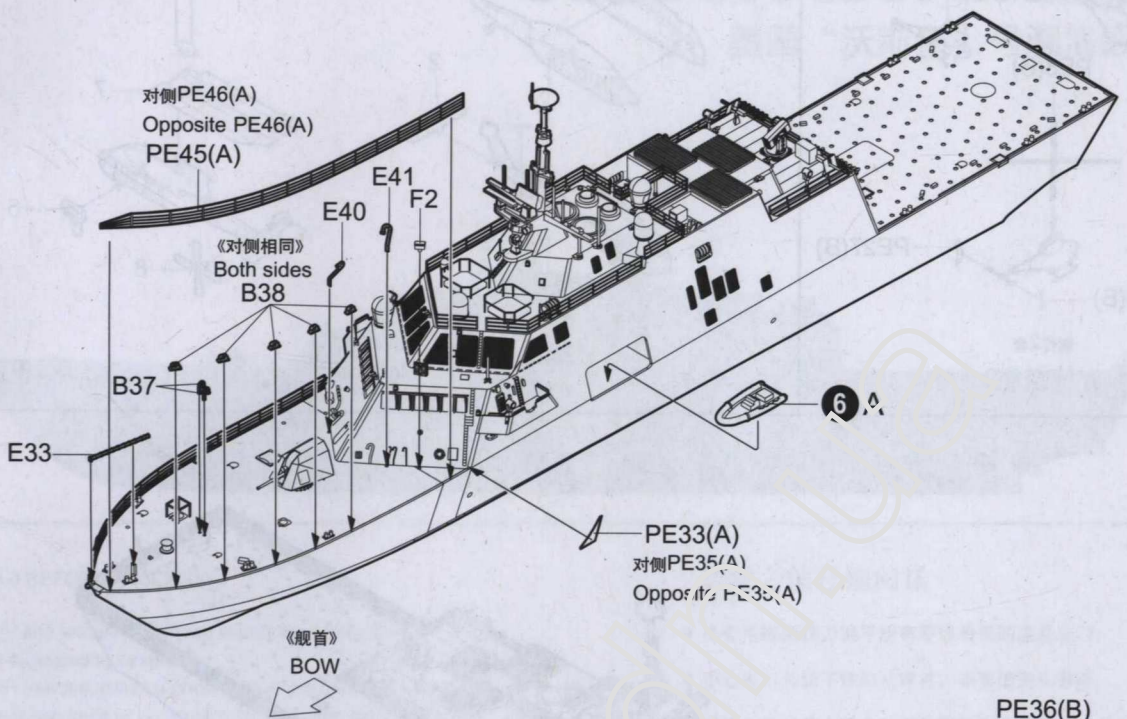


23

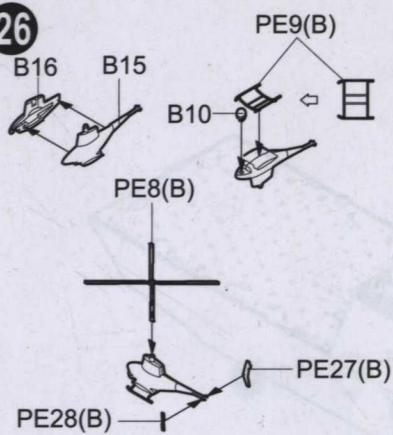


24



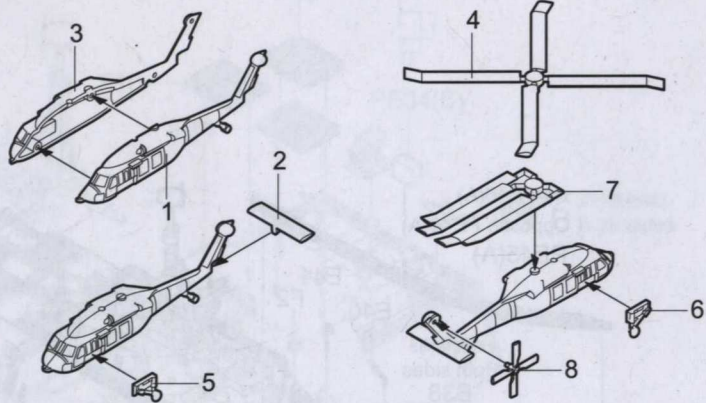


26



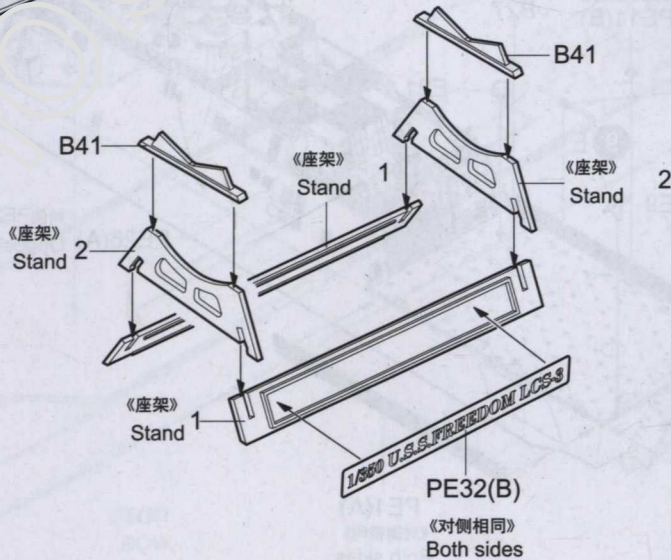
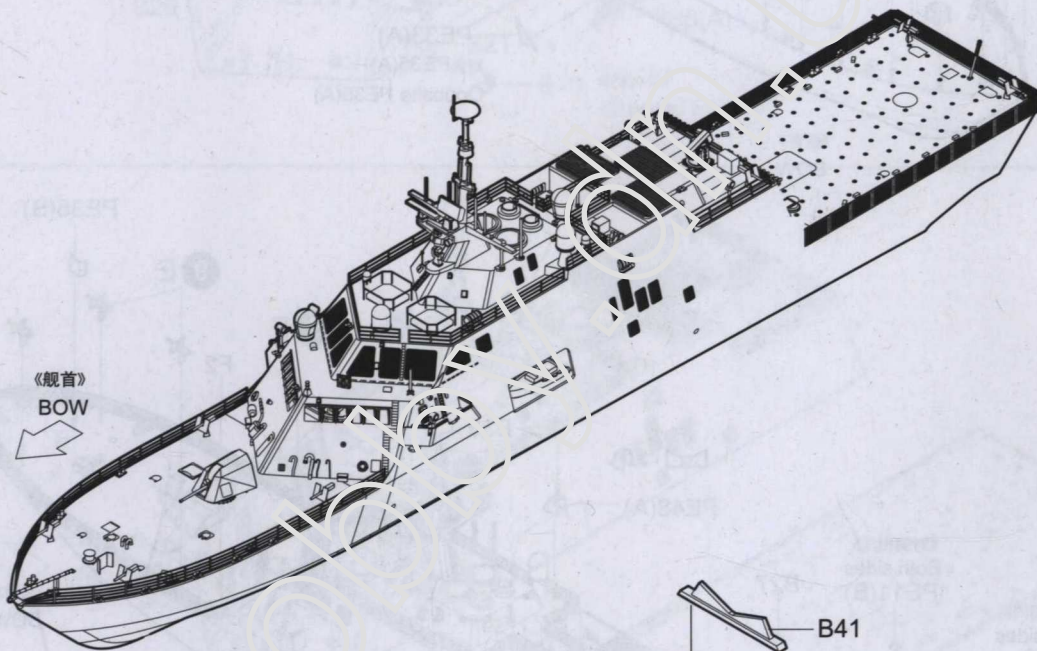
制作2套
Make two

27

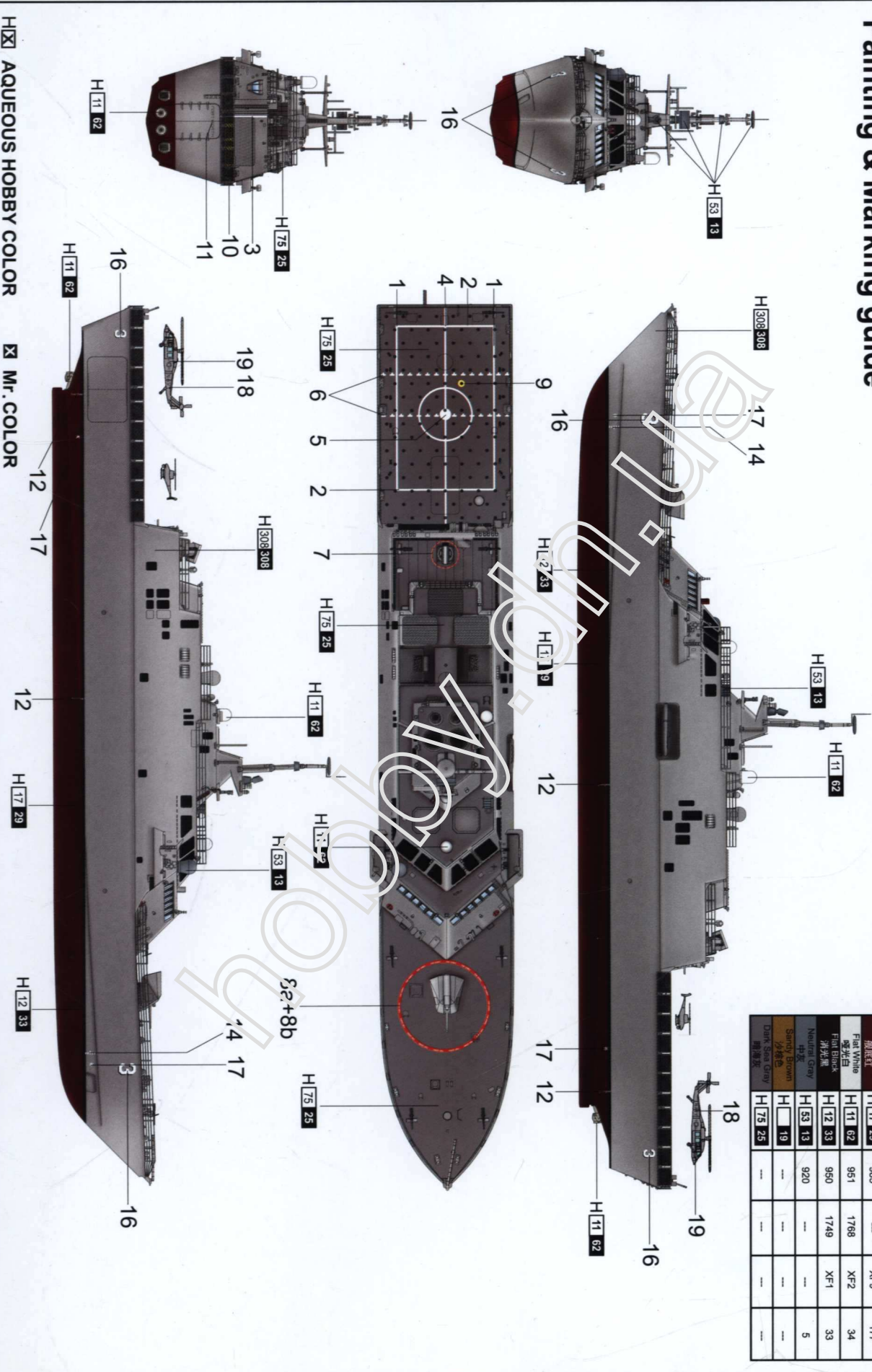


制作2套
Make two

28



涂装同标贴指示 Painting & Marking guide



PAINT REFERENCE COLOUR					
Color	Mr.Hobby	Vallejo	Model Master	Tamiya	Humbrol
Gray 灰色	H 308 308	990	1728	XF-19	127
Hull Red 舰体红	H 17 29	985	---	XF9	177
Flat White 哑光白	H 11 62	951	1768	XF2	34
Film Black 漆光黑	H 12 33	950	1749	XF-1	33
Neutral Gray 中灰	H 53 13	920	---	---	5
Sandy Brown 沙棕色	H 19	---	---	---	---
Dark Sea Gray 暗海灰	H 75 25	---	---	---	---

H ☒ AQUEOUS HOBBY COLOR ☒ MR. COLOR
04553 1/350 USS Fort Worth (LCS-3)