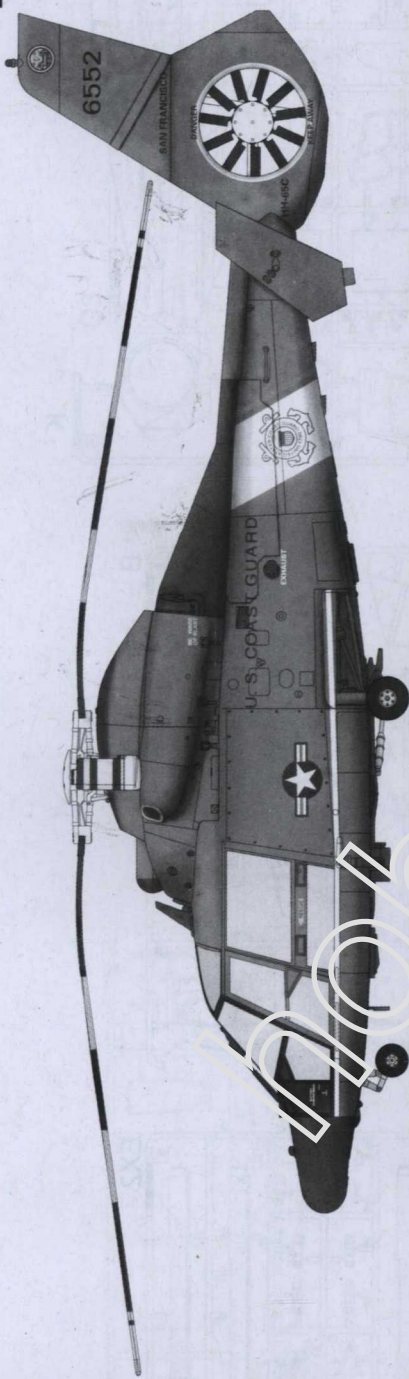


1/35 scale

ITEM NO.:05107



US Coast Guard HH-65C Dolphin Helicopter

美国海岸警卫队 HH-65C “海豚” 直升机

READ BEFORE ASSEMBLY:

- This kit is not recommended for inexperienced modelers or for children under 14 years of age
- Study and understand these instructions thoroughly before beginning assembly
- When needed, remove photo-etch parts carefully using a modeling knife or photo etch sprue cutter, being careful not to damage or lose small parts.
- Take extra care in handling photo etch parts in order to avoid injury
- Apply instant cement sparingly to photo etch parts where instructed

装配之前仔细阅读

- 小心用模型锉刀锉平所有零件表面的注射浇口。
- 小心用刀片切下蚀刻片零件，不要遗失小零件。
- 用强力快干胶水粘合蚀刻片零件和金属轴。过量的快干胶水使用可能导致可动零件会粘住，小心涂胶。
- 取蚀刻片时应特别注意安全，防止利刃划伤手指。
- 某些零件表面需贴水上贴纸，请选择在装配的同时进行。
- 推荐模型工具（自备）：胶水，水口剪刀，长咀钳，刀片，锉刀，镊子钳，钻，剪刀，瞬间快干胶。
- 软布同砂纸同时也应该是必备工具。
- 请勿使用塑料胶水和油漆，模型内不含。
- 请勿让小孩吮吸塑料零件，或者将塑料袋套在头上，制作时应将套材远离小孩接触。
- 本产品不适合14岁以下没有经验的模型爱好者。

水贴纸的使用:

1. 从水贴纸上剪下印花;
2. 将印花放入温水中浸10秒, 然后放在干净布上;
3. 拿着印花纸板将印花移到模型上;
4. 手指蘸水将印花移到适当的位置;
5. 用软布轻压印花直至水干, 气泡消失。

DECAL APPLICATION:

4. While still wet, decal can be adjusted for better fit on model by dampening it gently with your finger.
5. When placed in the proper position, gently press decal down with a soft cloth until excess water and air bubbles are gone.
6. Allow decal to dry completely before handling model



使用强力胶



配重 Weight



钻孔



切除 Cut / Remove



贴纸 Decal



锉平 File / Sand



选择 Option

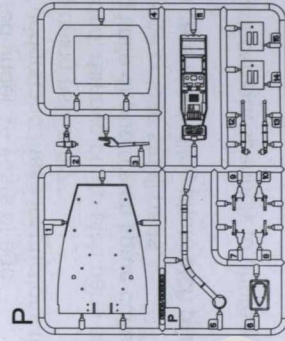
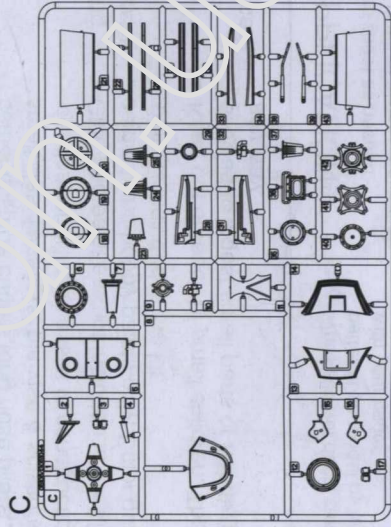
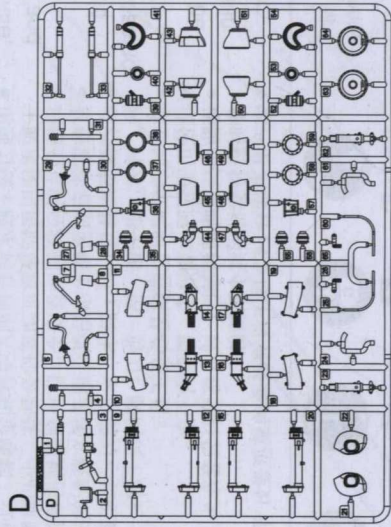
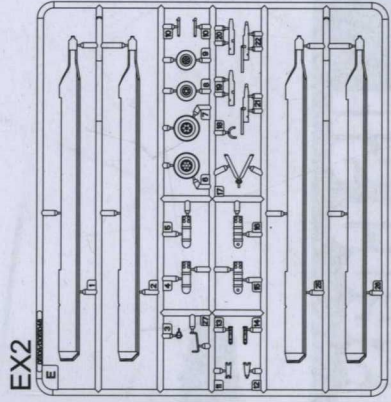
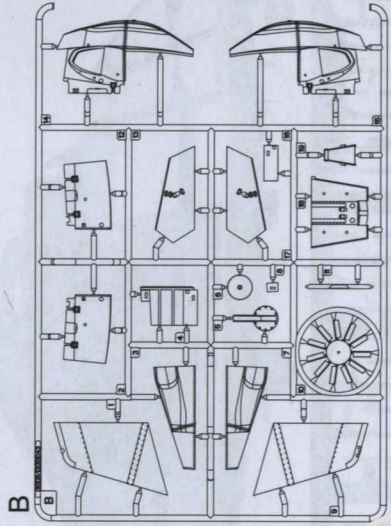
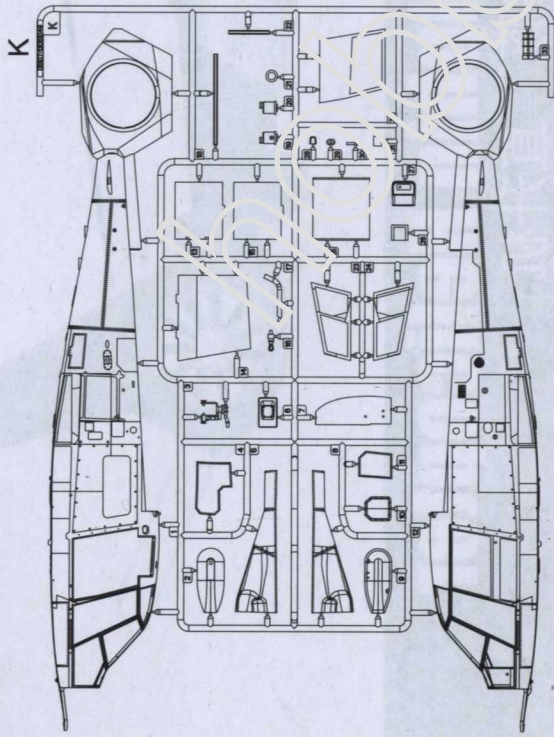


不涂胶水 No cement

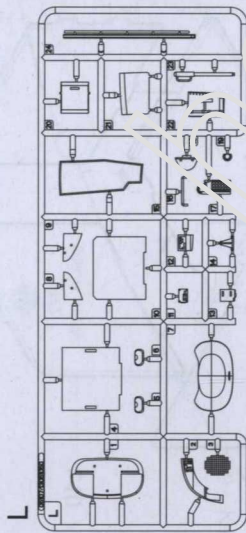


弯曲 Bend

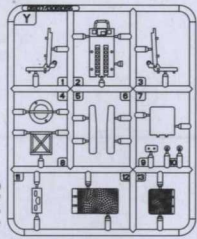
部品图
Parts



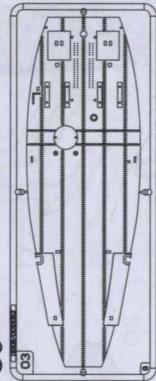
部品图
Parts



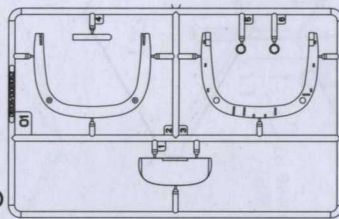
YX3



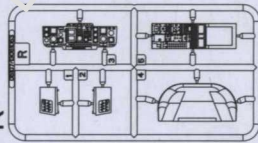
O3



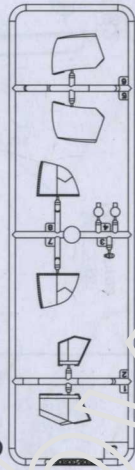
O



R



S



U



《水贴》
Decal



《蚀刻片》A

Photo etched part(PE)



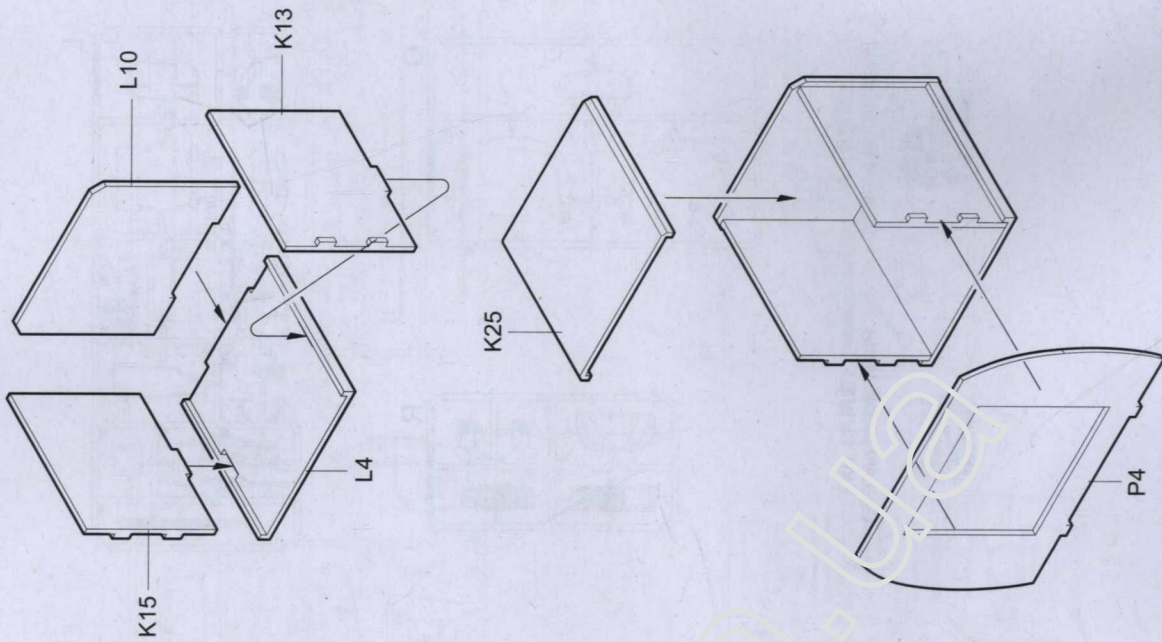
《蚀刻片》BXZ

Photo etched part(PE)



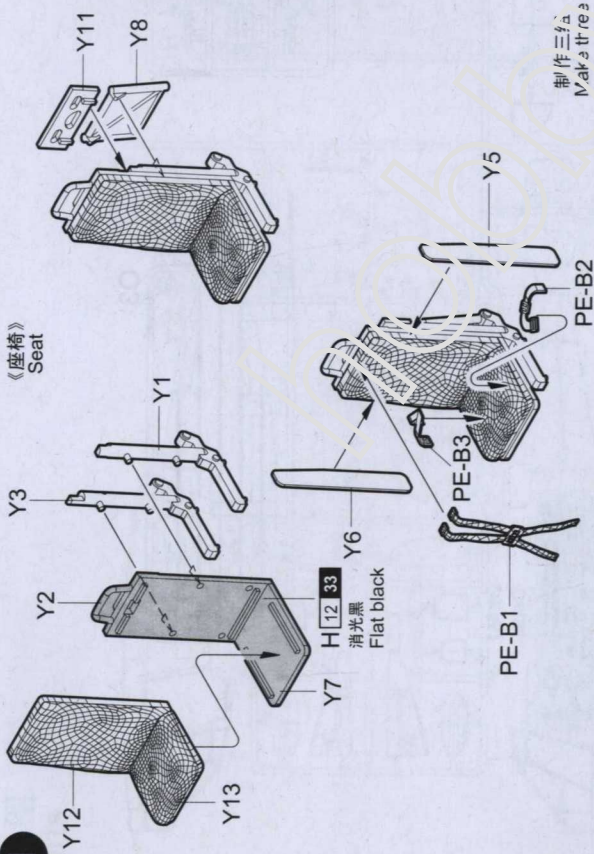
不用的部件:
Unused parts
B3 B7 C18 C22 C24 C25 C26 C27 C30 C33 C34
C37 D8 E25 E26 O5 PE-A2 PE-A3 PE-A5 PE-6
PE-A7 PE-A8

《A-A》



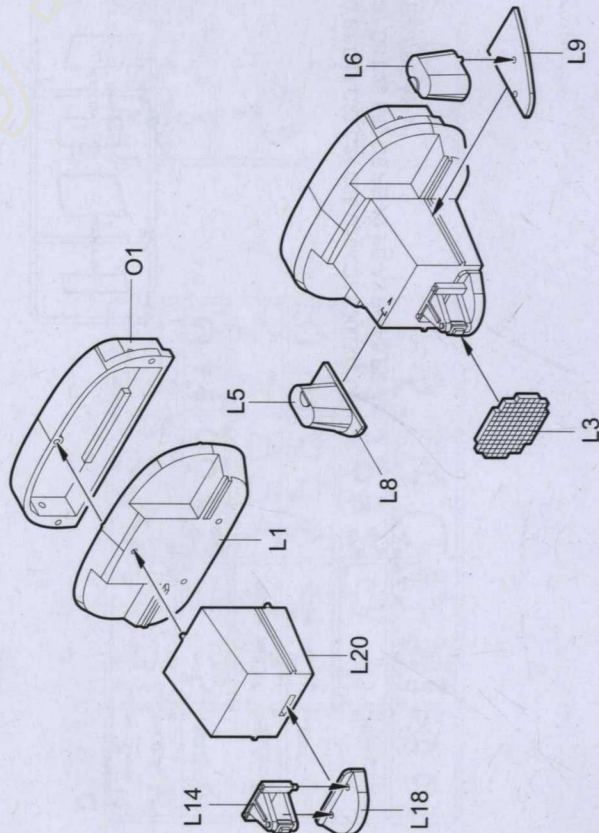
3

《座椅》
Seat

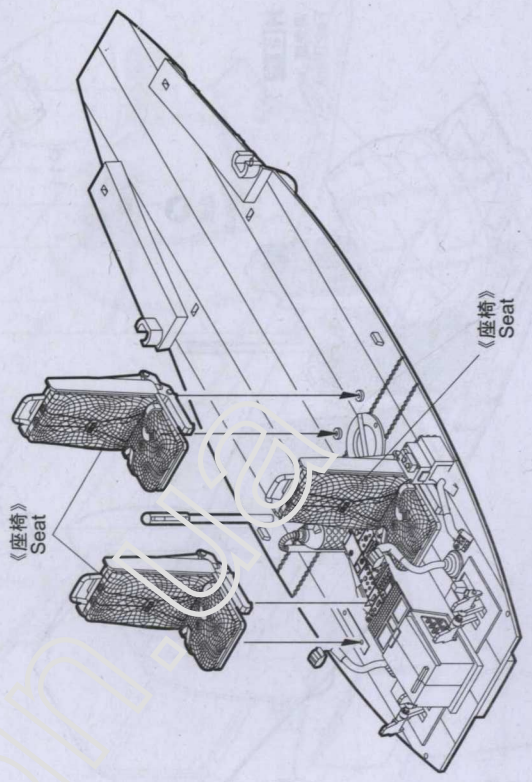
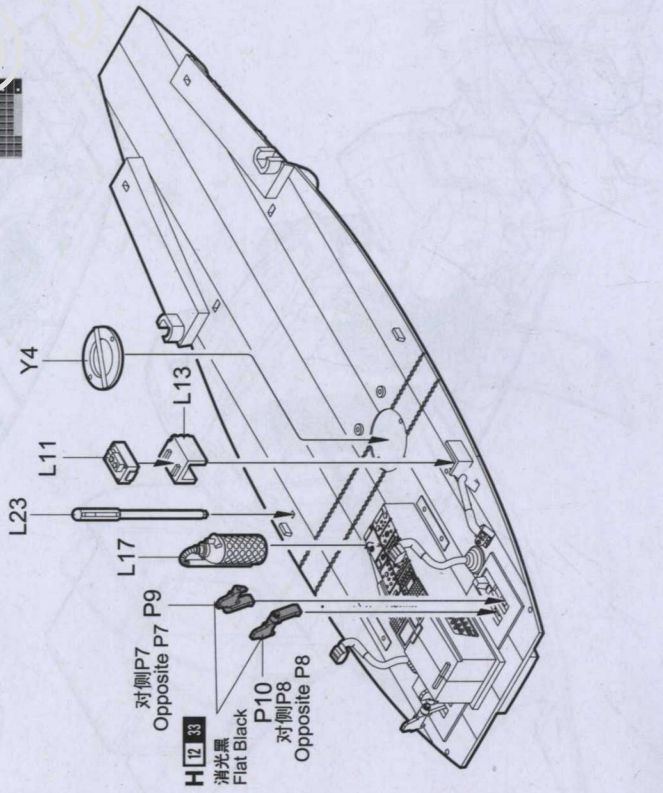
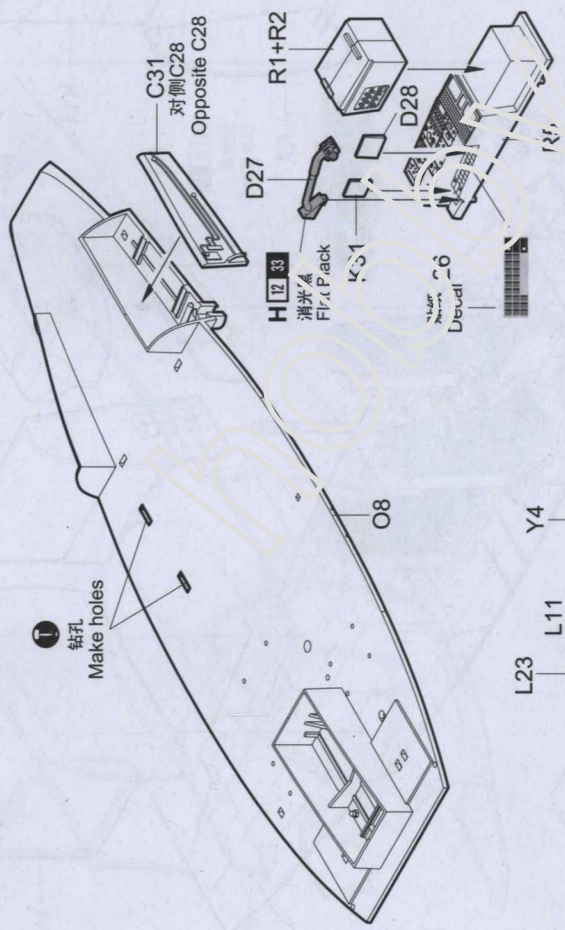
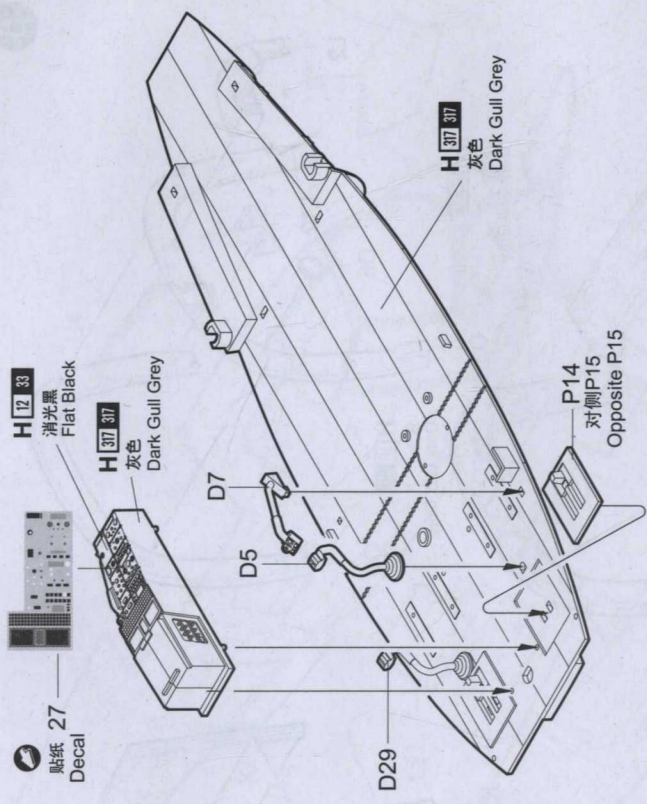


1

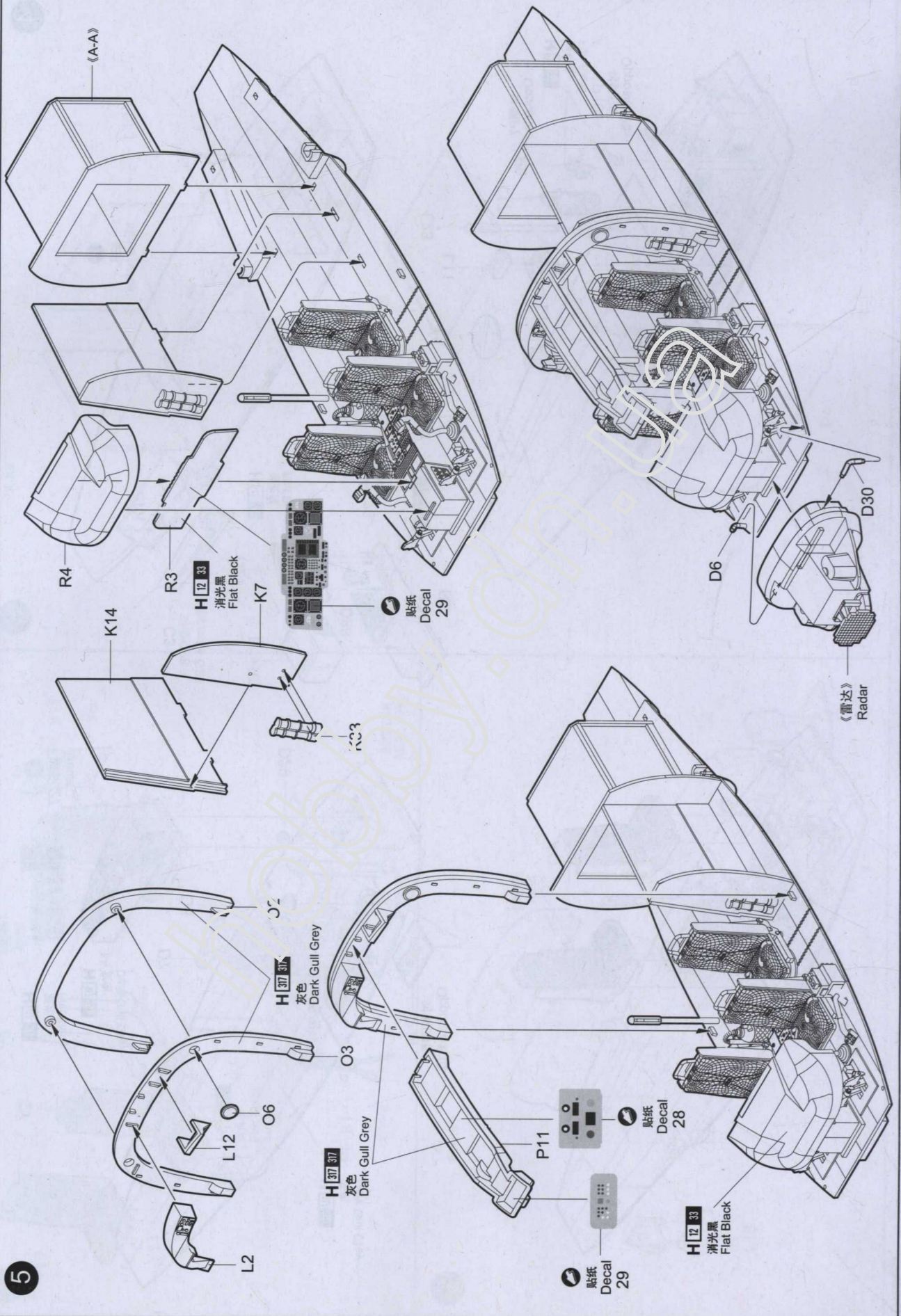
《雷达》
Radar



2



5

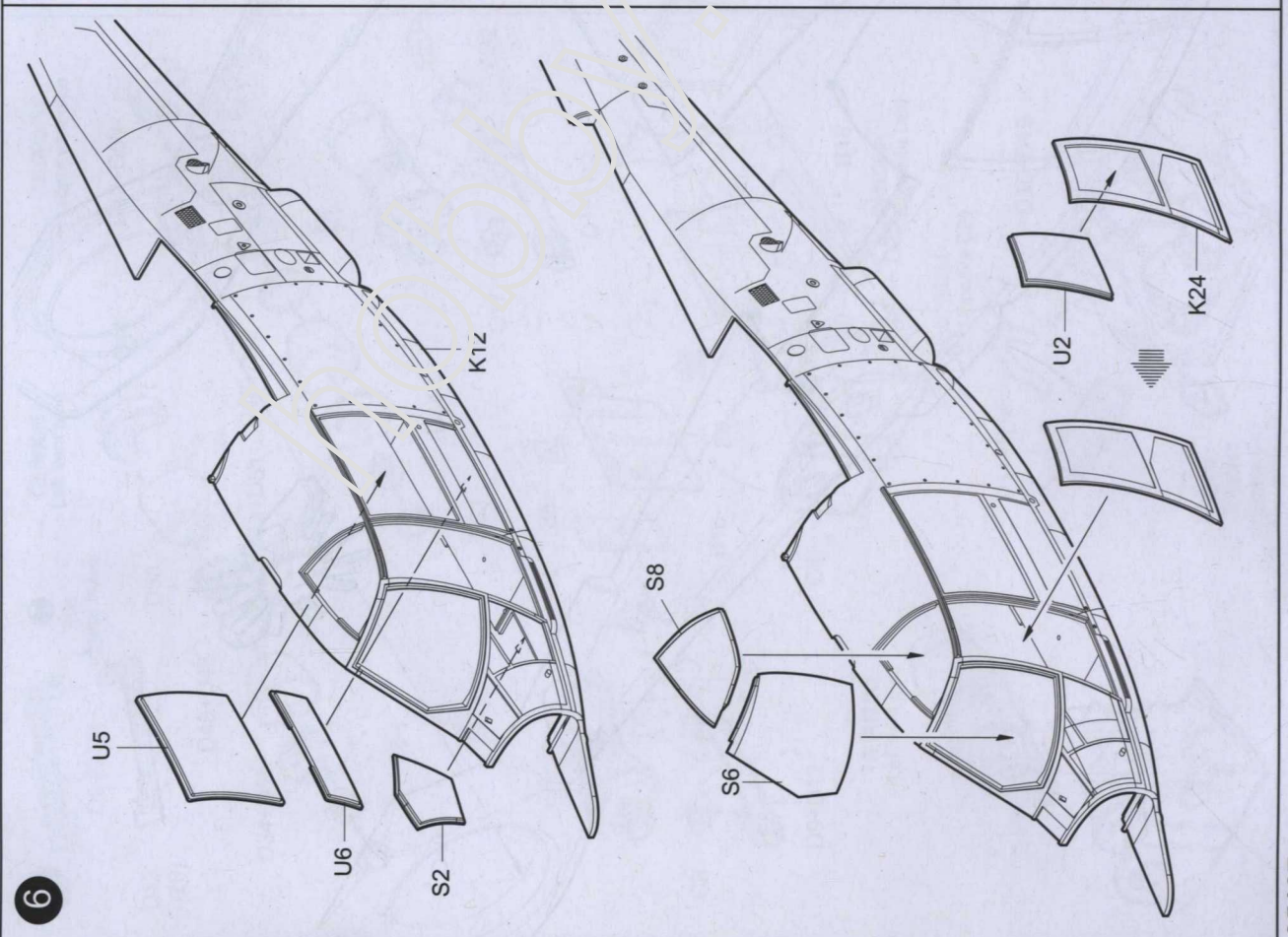


05107

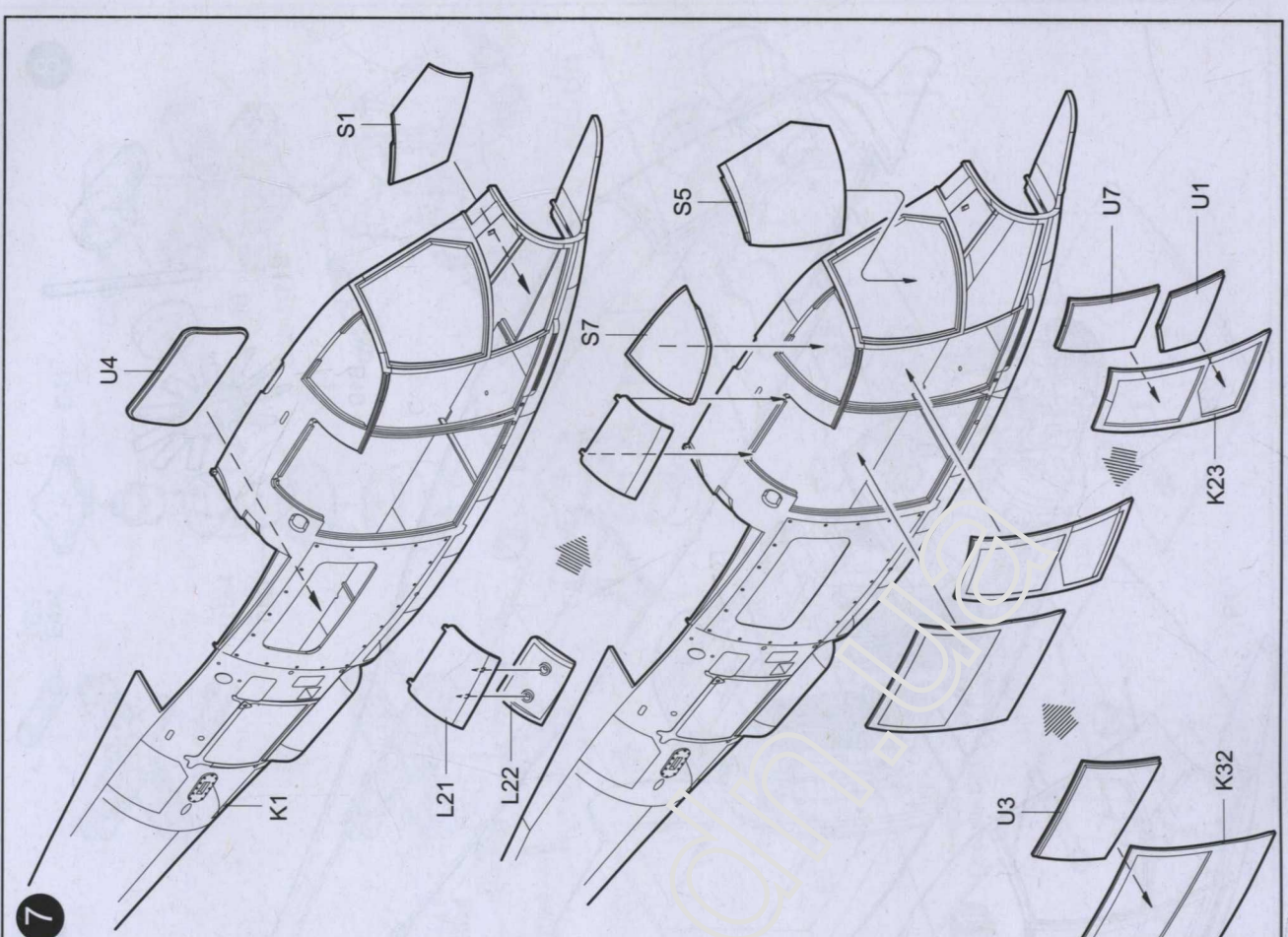
6

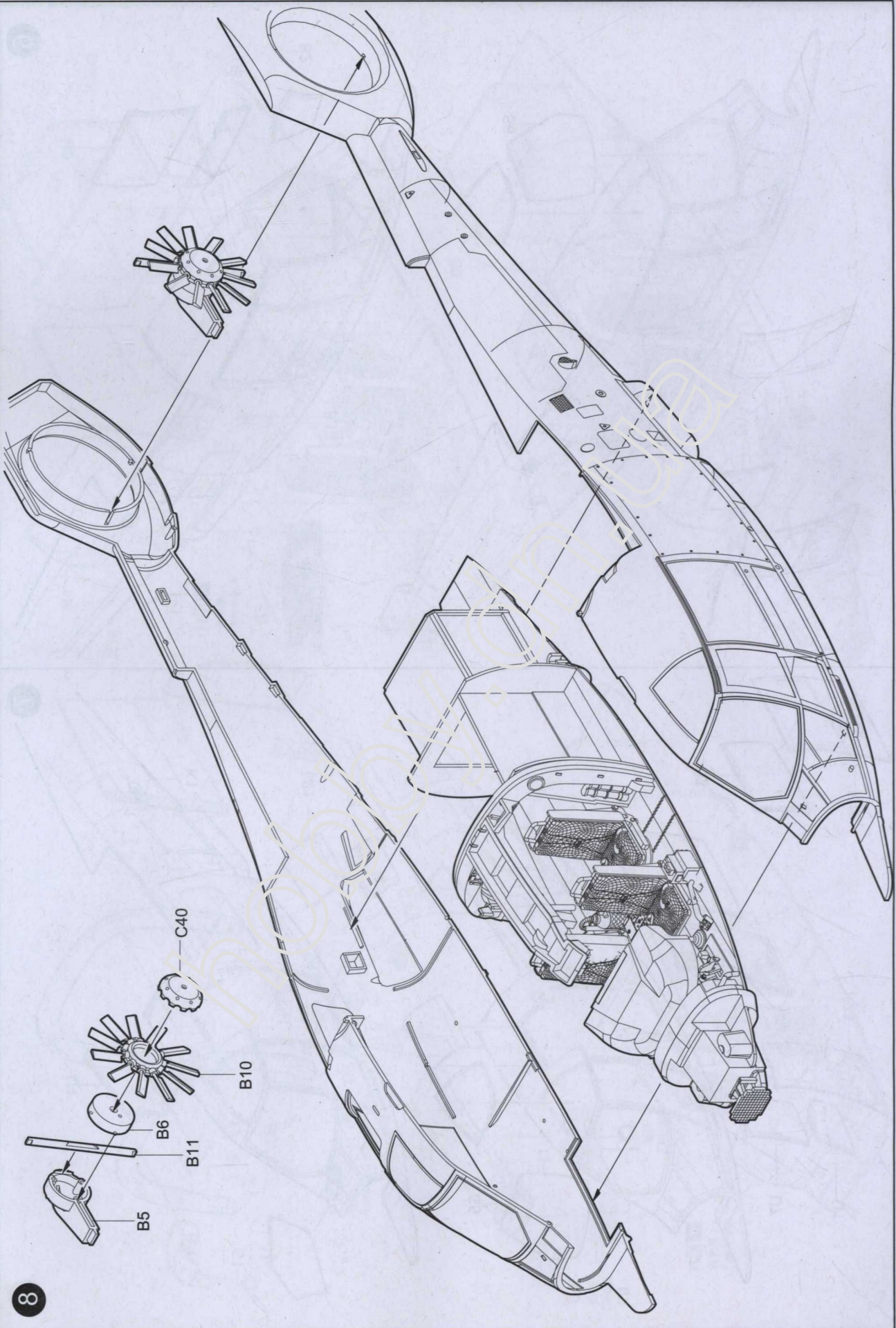
10100

6

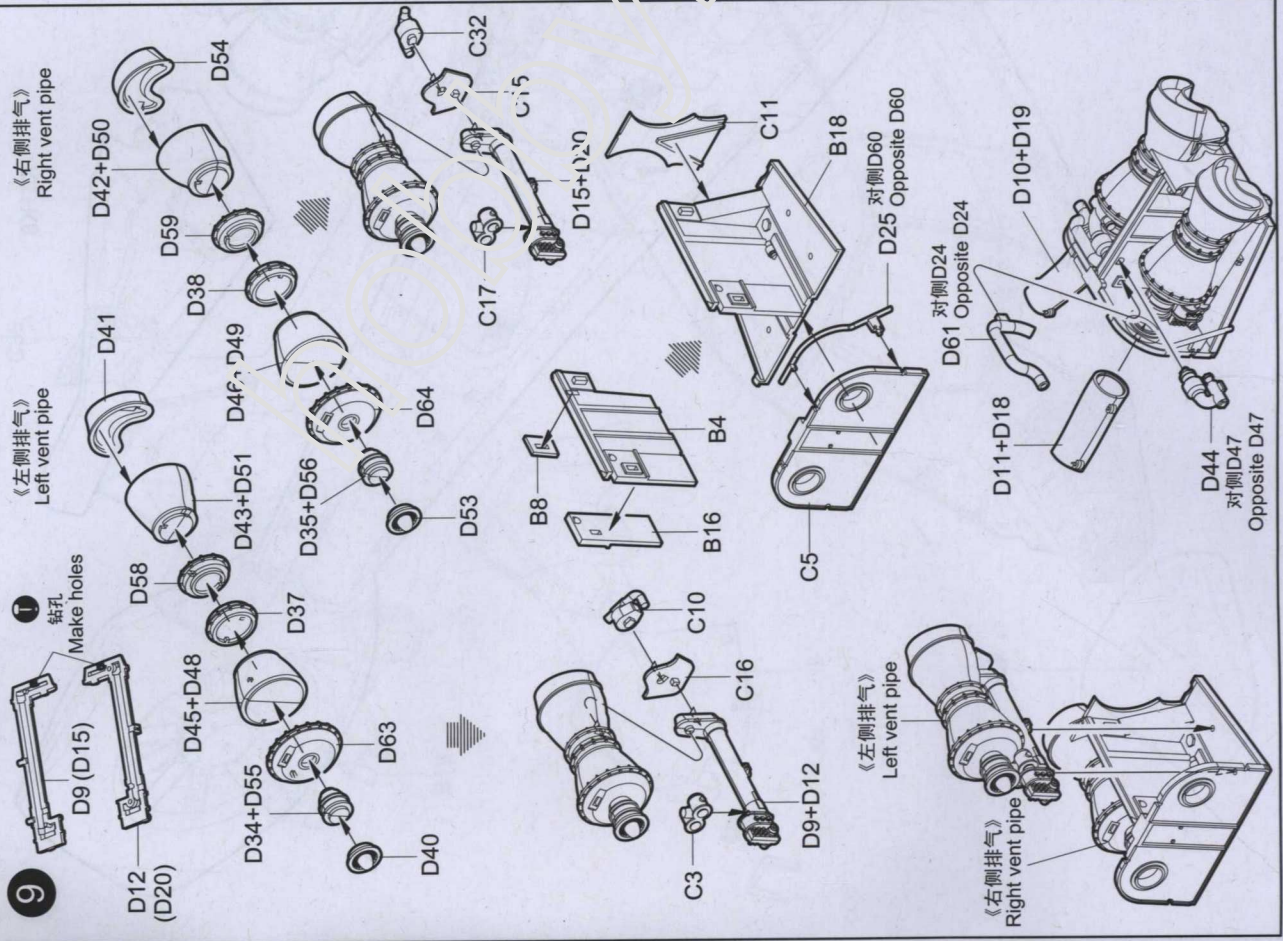


7

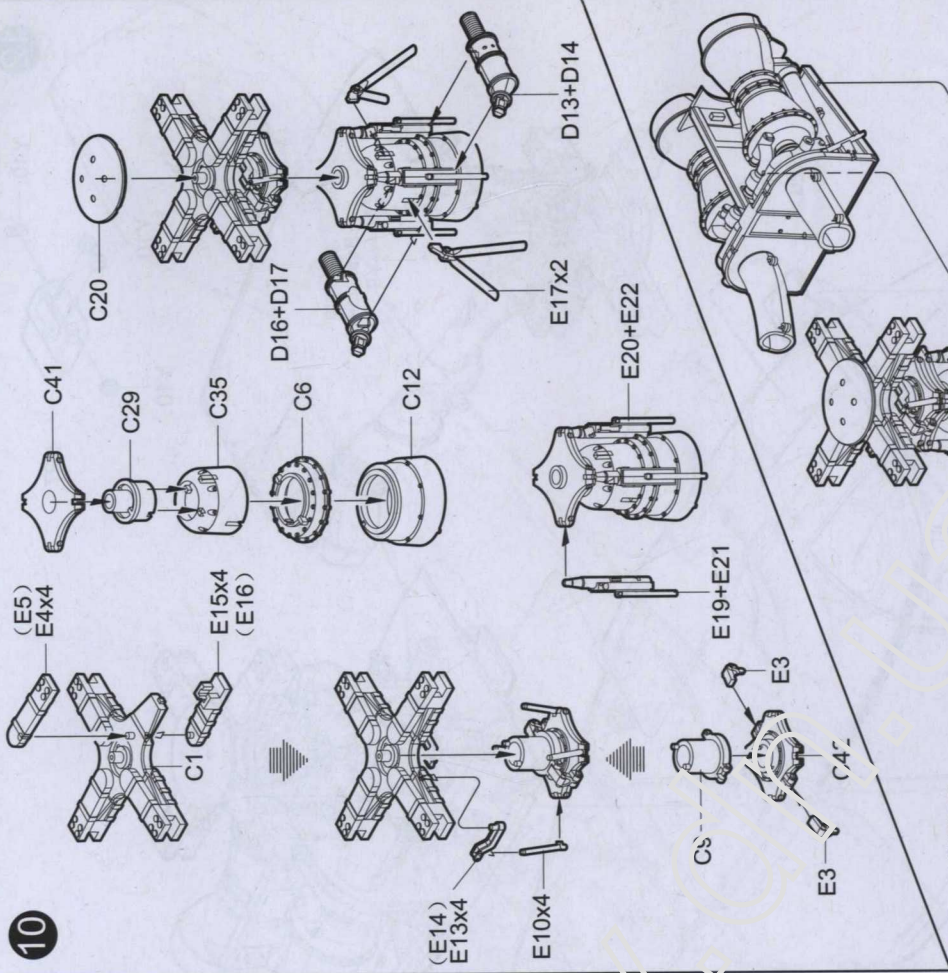




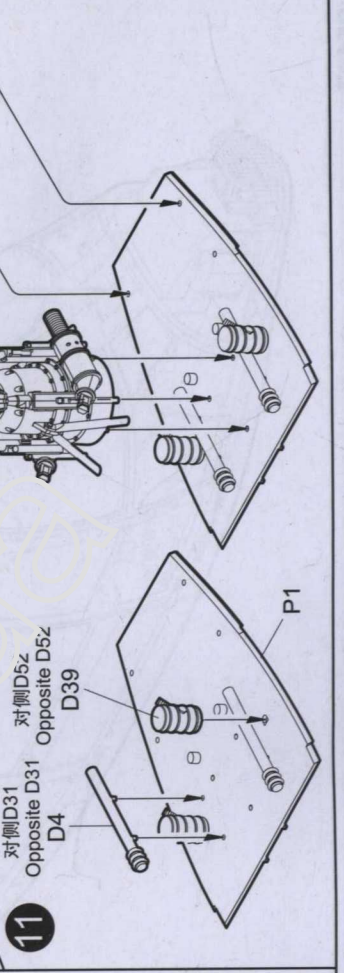
9

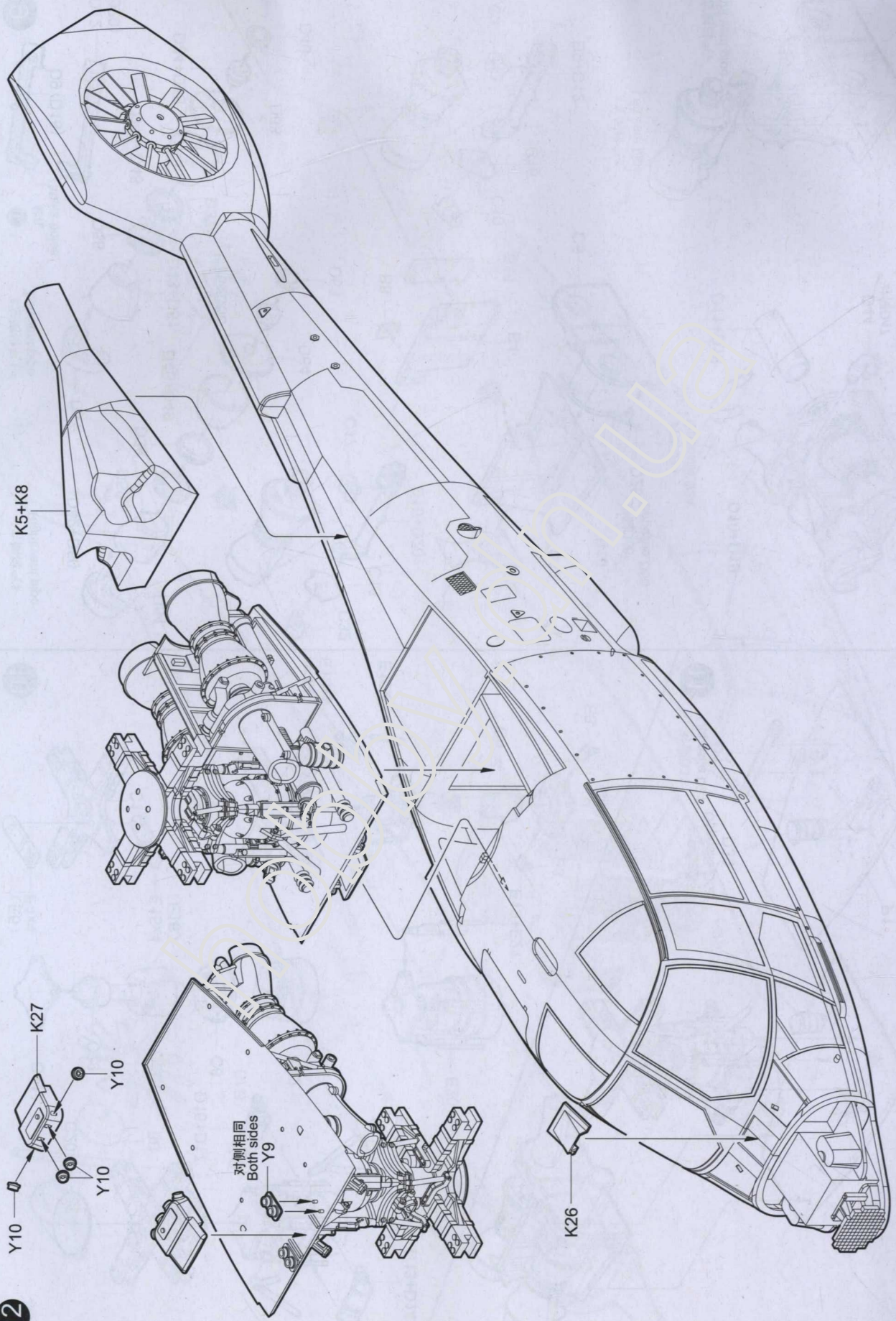


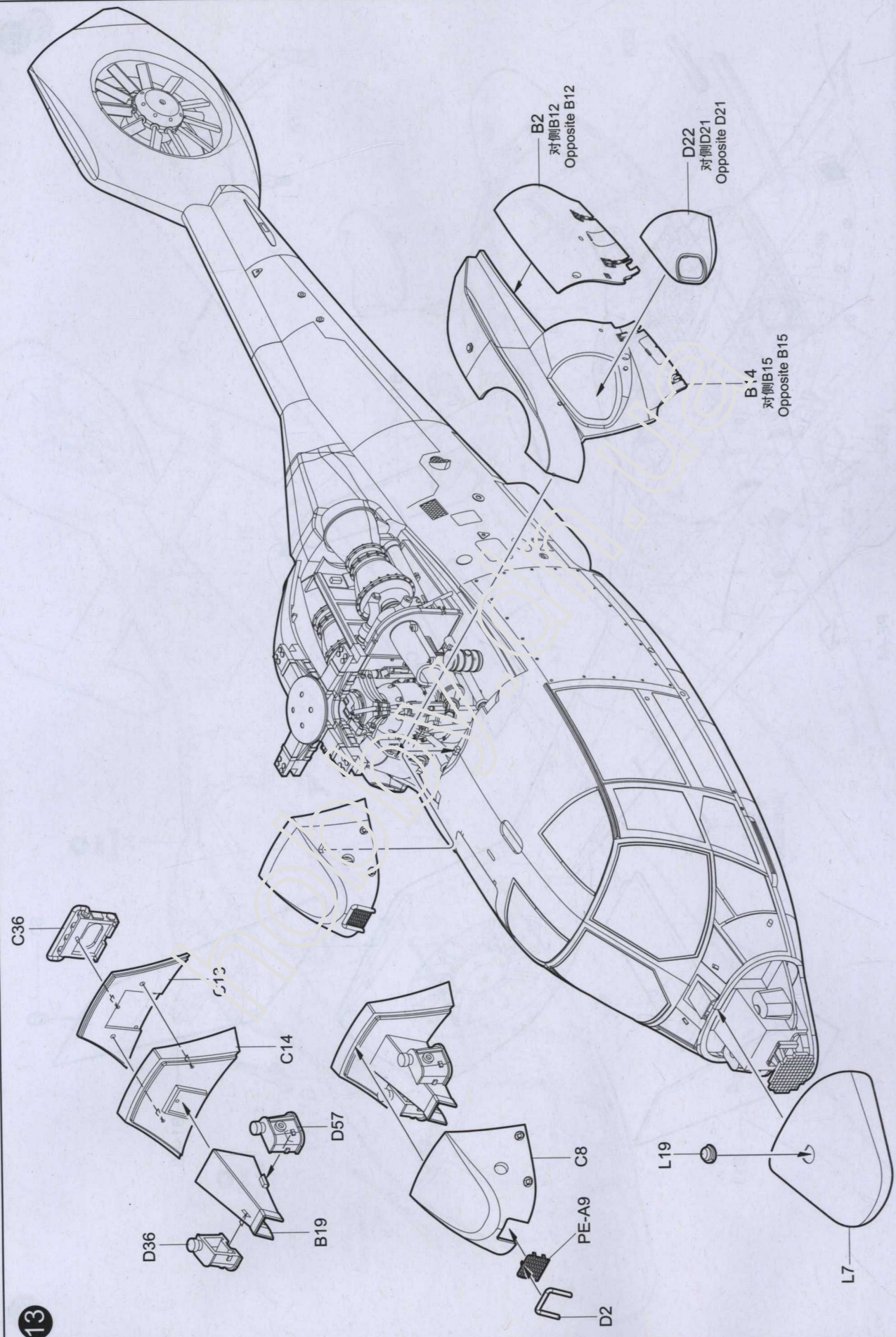
10

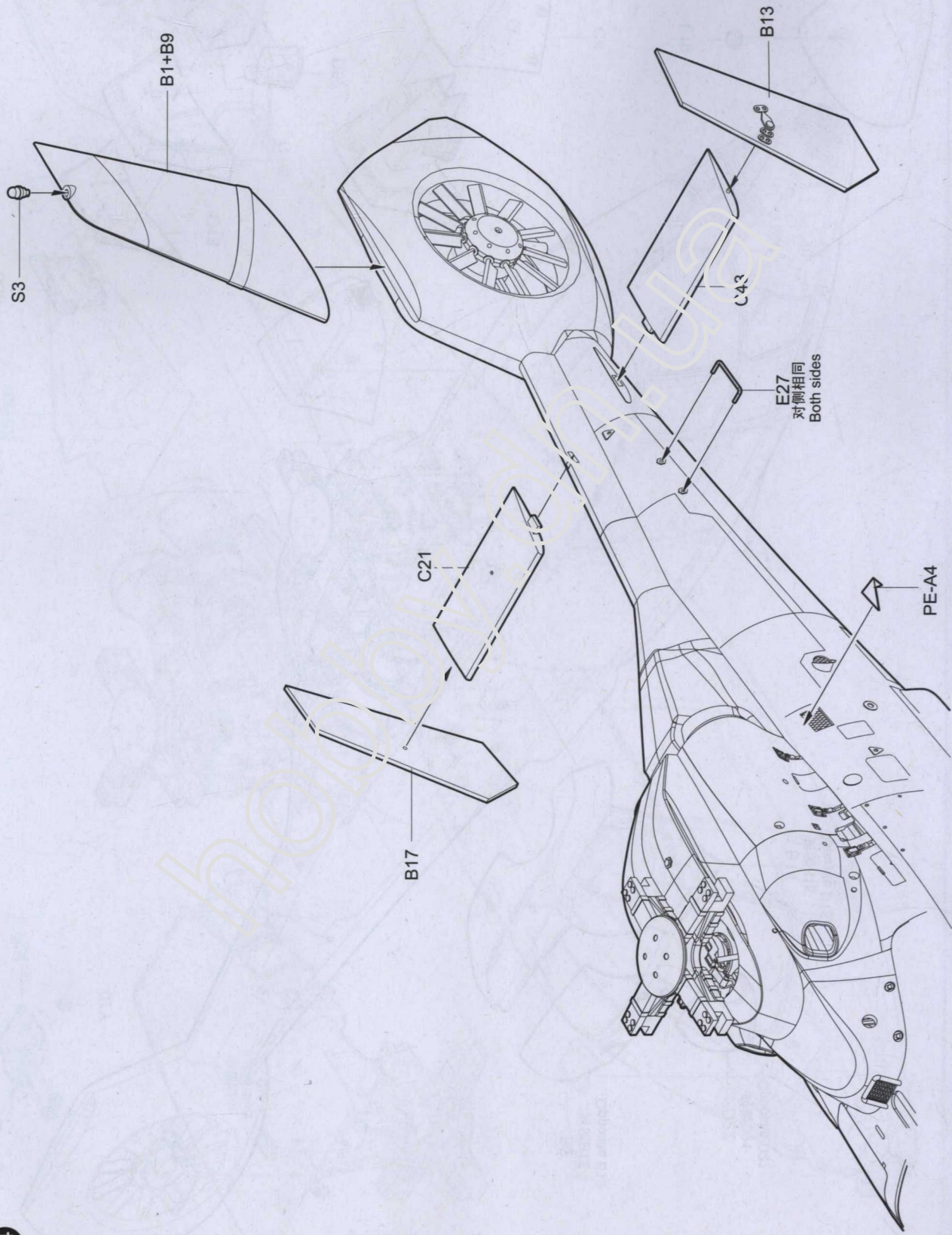


11

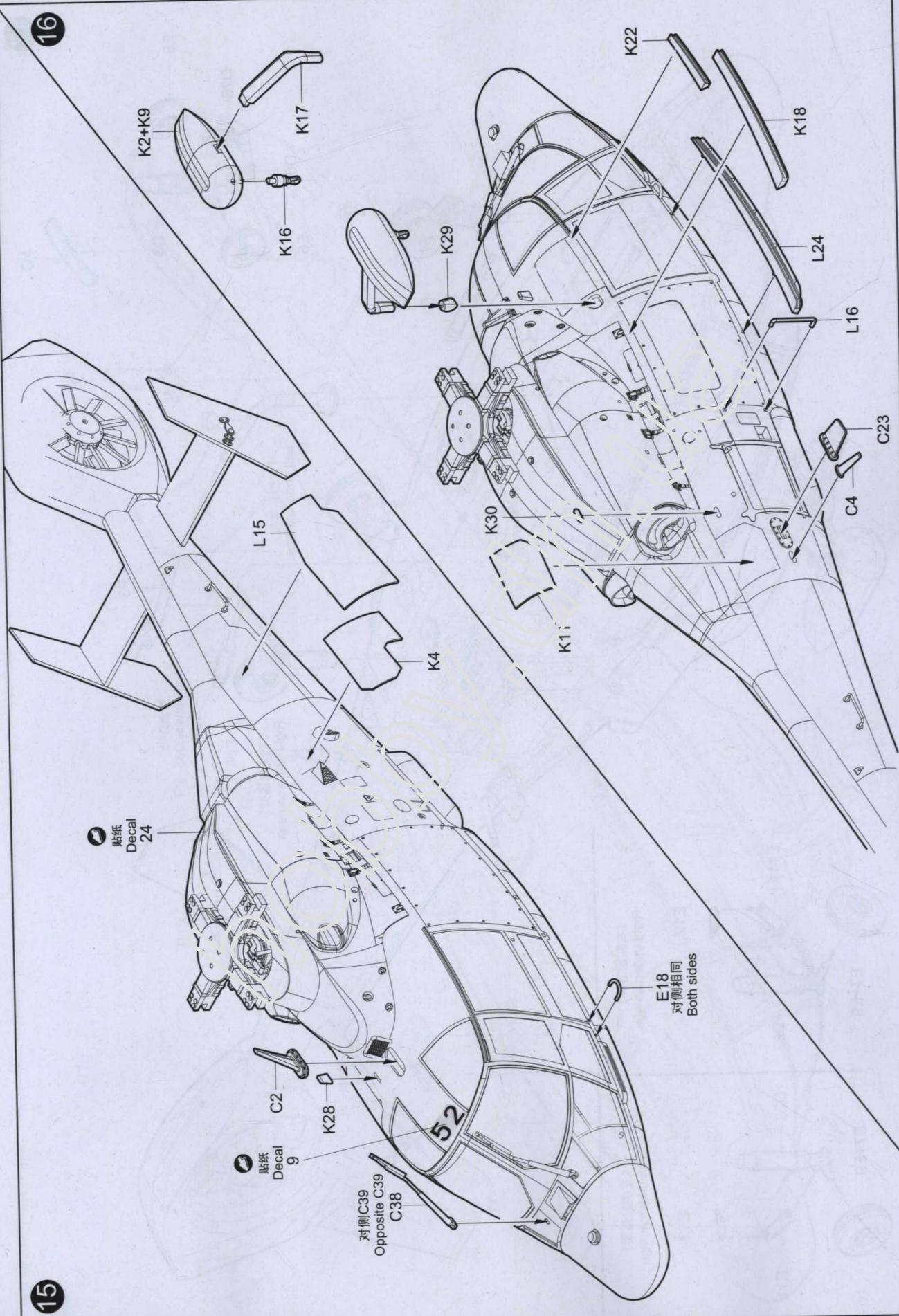








16



15

贴纸 Decal 24

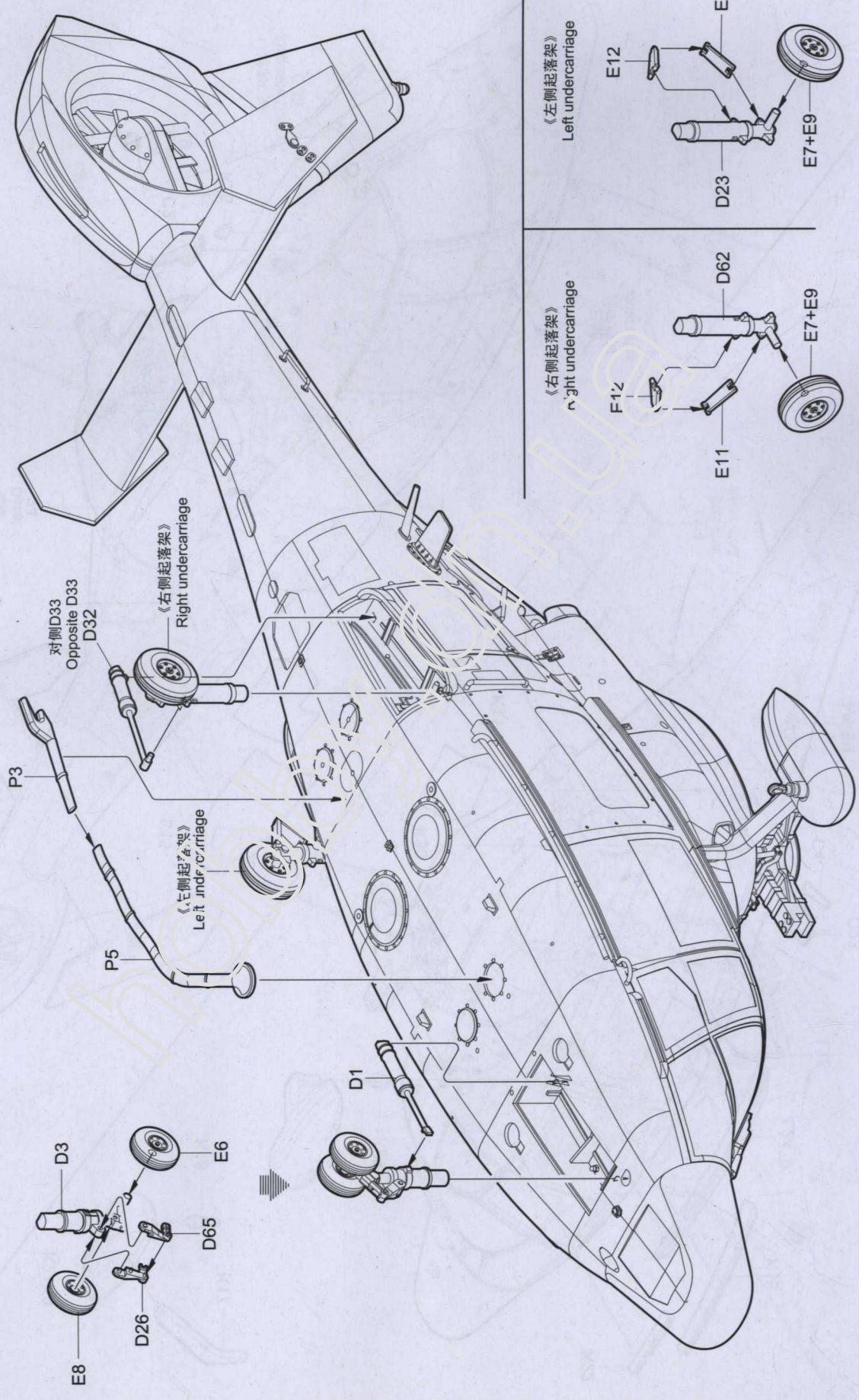
贴纸 Decal 9

对侧 C39
Opposite C38

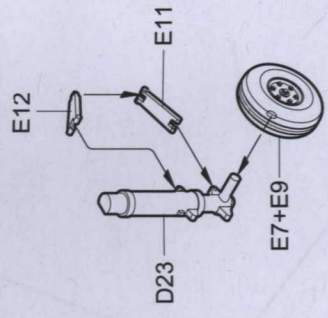
E18
对侧相同
Both sides

13

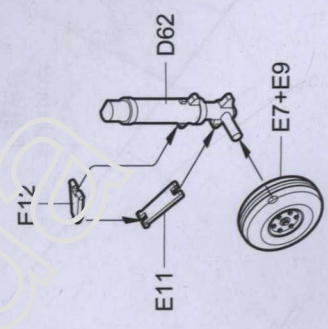
05107

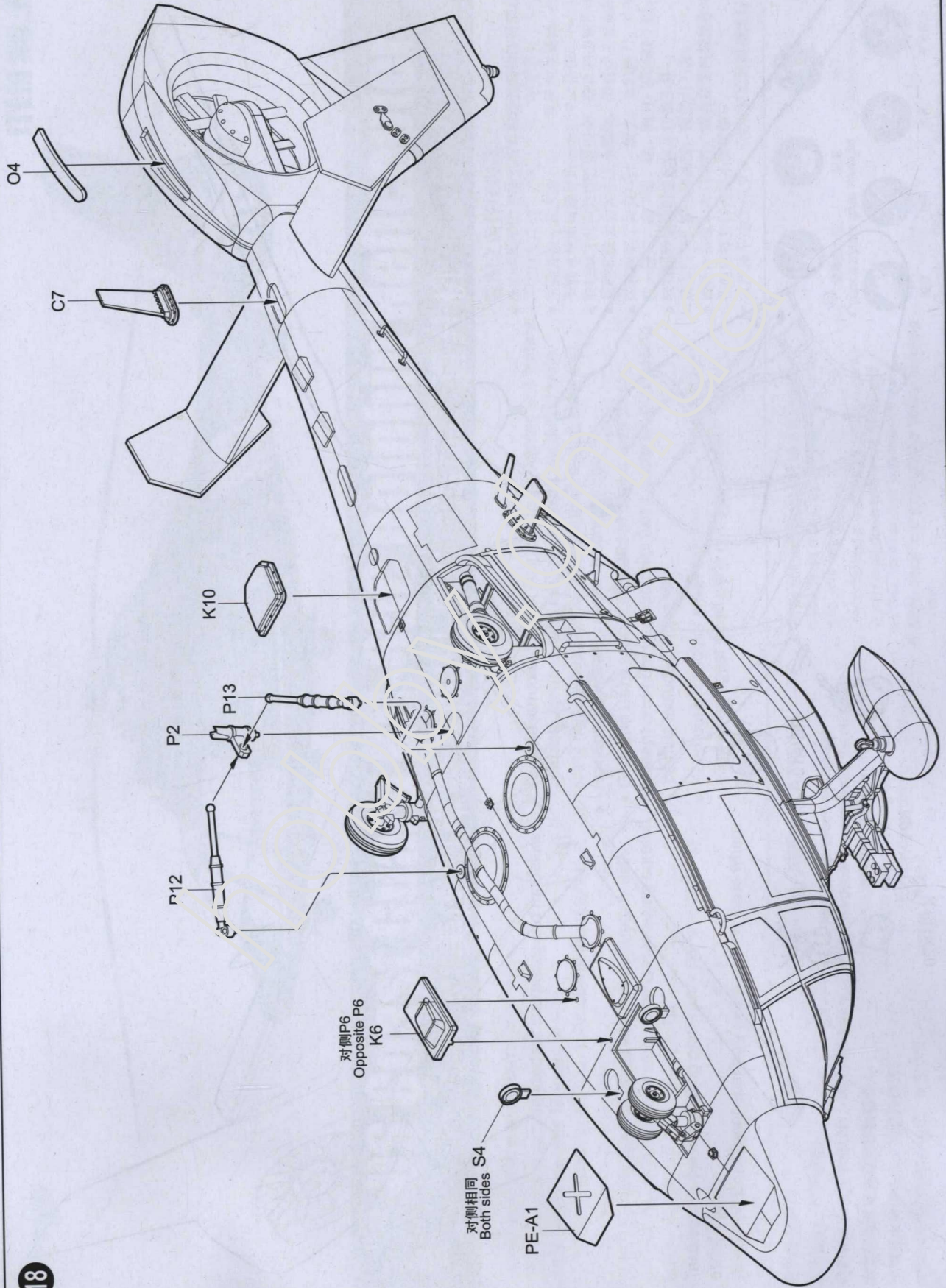


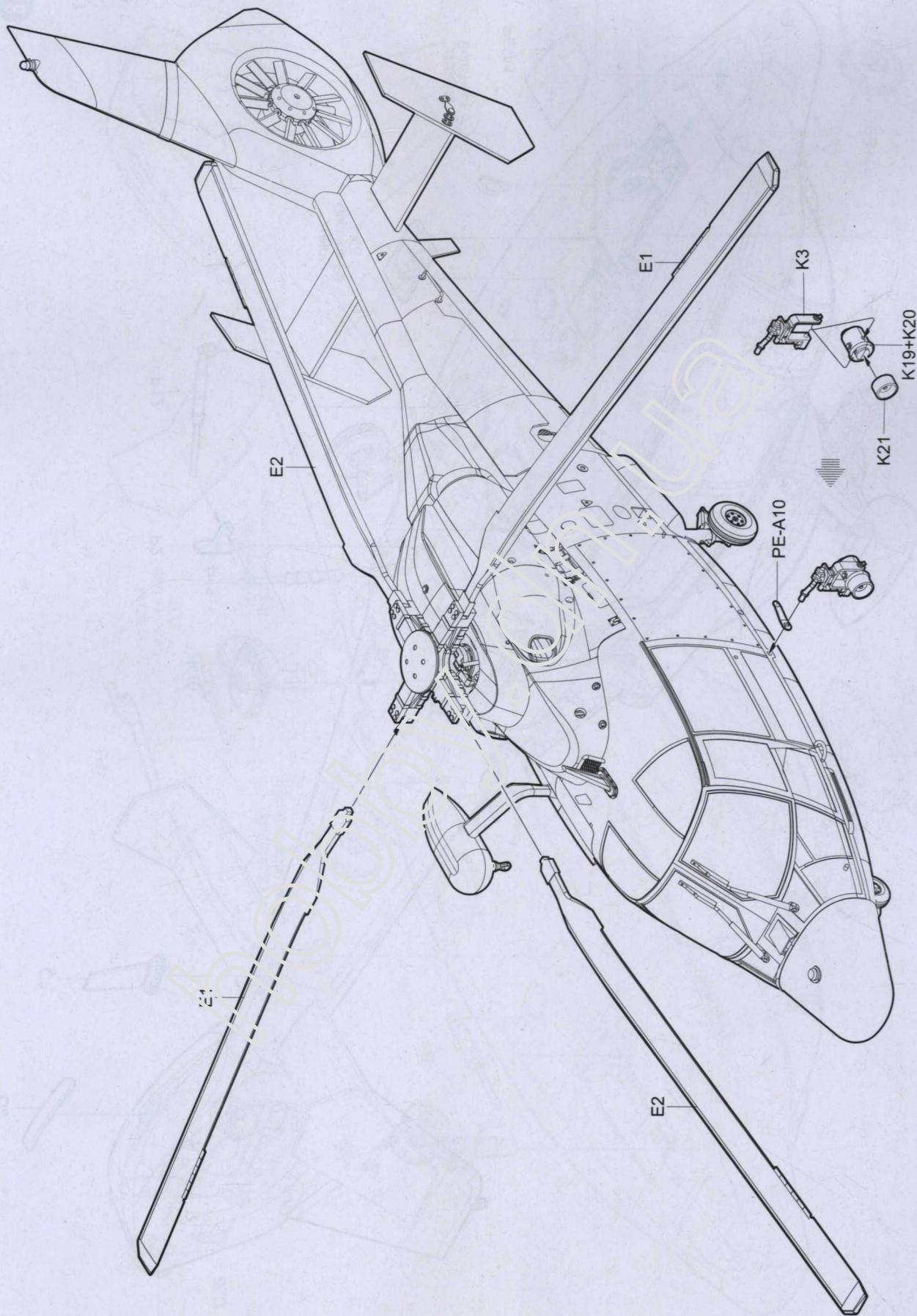
《左侧起落架》
Left undercarriage



《右侧起落架》
Right undercarriage





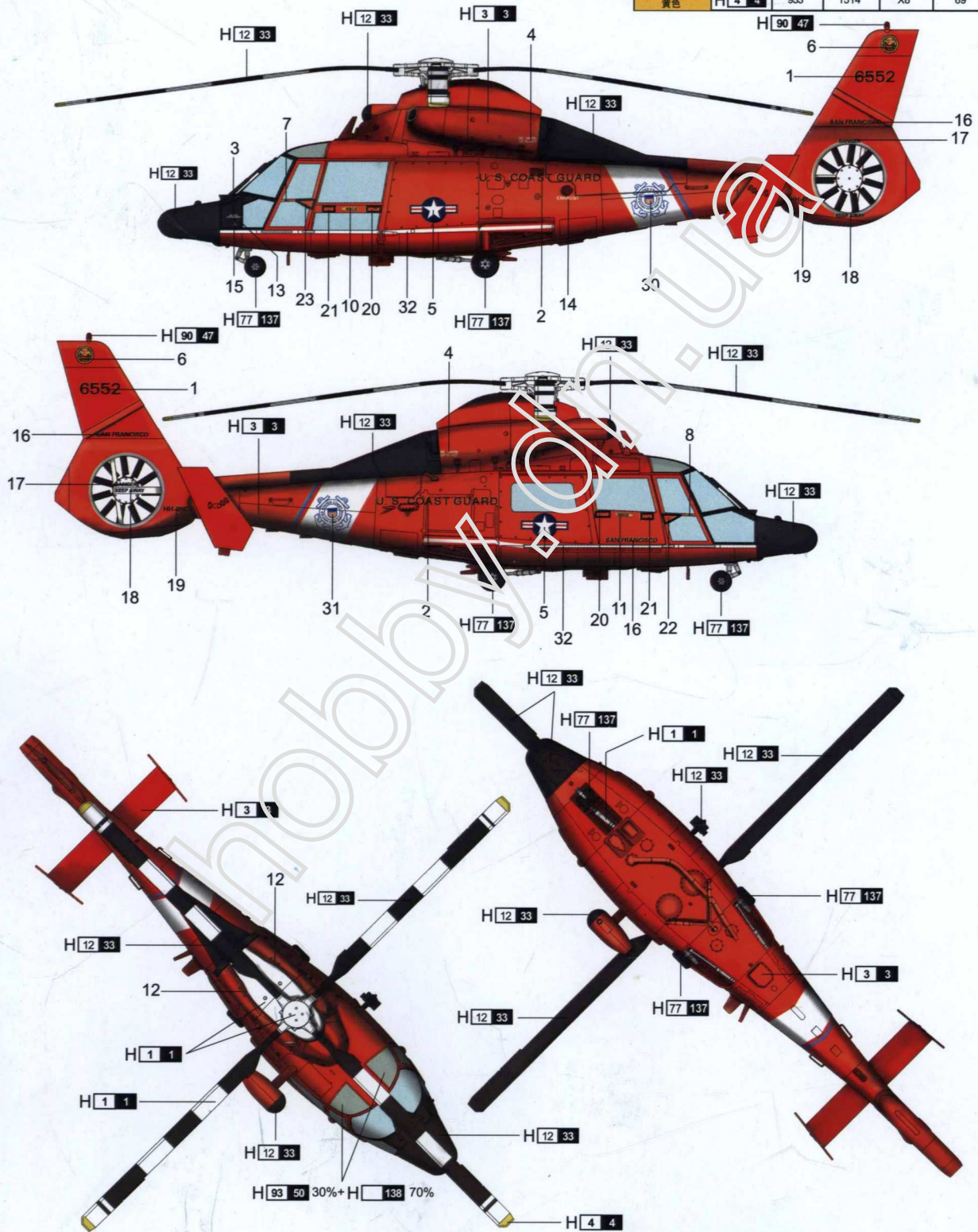


涂装同标贴指示

Painting & Marking guide

PAINT REFERENCE COLOUR

Color	Mr.Hobby	Vallejo	Model Master	Tamiya	Humbrol
Flat Black 消光黑	H 12 33	960	1749	XF1	133
Tire Black 胎黑色	H 77 137	-	-	-	-
Red 红色	H 3 3	908	1503	X7	19
Clear Blue 透明蓝	H 93 50	938	-	X23	-
Clear Green 透明绿	H 138	936	-	X25	-
Clear Red 透明红	H 90 47	934	-	X27	-
White 白色	H 1 1	842	1745	X2	22
Yellow 黄色	H 4 4	953	1514	X8	69



H AQUEOUS HOBBY COLOR ■ Mr. COLOR

1/35
scale

05107

US Coast Guard HH-65C Dolphin Helicopter



NEW VARIANT!

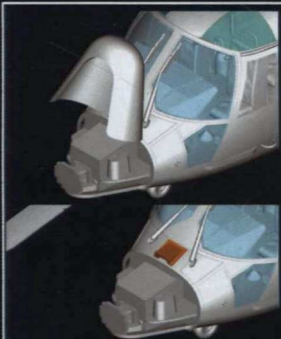


The Eurocopter SA 365/AS 365 Dauphin 2 is a medium-weight multipurpose twin-engine helicopter originally manufactured by Aerospatiale, later by Eurocopter (now Airbus Helicopters). Several major variations of the Dauphin have been developed and entered production, including the military-oriented Eurocopter Panther, the HH/MH-65 Dolphin, the Chinese-produced Harbin Z-9 and the improved Eurocopter EC155.

The Eurocopter HH-65 Dolphin is a twin-engine, single main rotor, MEDEVAC-capable Search and Rescue helicopter operated by the United States Coast Guard. It is a variant of the French-built Eurocopter AS 365 Dauphin.

The HH-65C is the updated version of the HH-65. The engines were exchanged for the new 934 shp Arriel 2C2-CG engines that provide 40% more power, plus an upgraded tail gearbox, long-nose avionics compartment, increased 9,480 lb MTOW, expanded lateral flight envelope and Vehicle and Engine Multifunction Display (VEMD) with First Limit Indicator (FLI). First retrofit completed in October 2004.

The kit consists of 301 parts of 12 sprues, 21 parts photo-etched.



The nose section can be opened to show the radar.



Well detailed Turbomeca Arriel 2C2-CG engine.



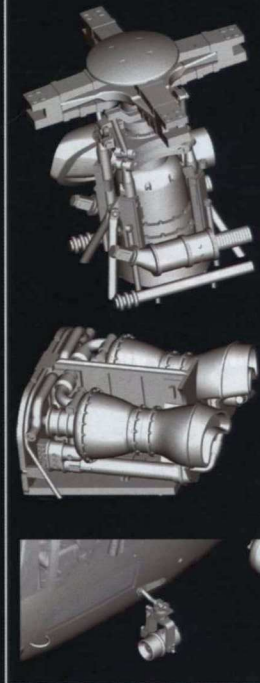
Well detailed fenestron.



Well reproduced landing gear, gear well.



Well reproduced rotor head, exhaust and searchlight.



Detailed cockpit and instrumentation.

Trumpeter_Hobbyboss

Trumpeter_Hobbyboss

trumpeter&hobbyboss fan club

小号手模型